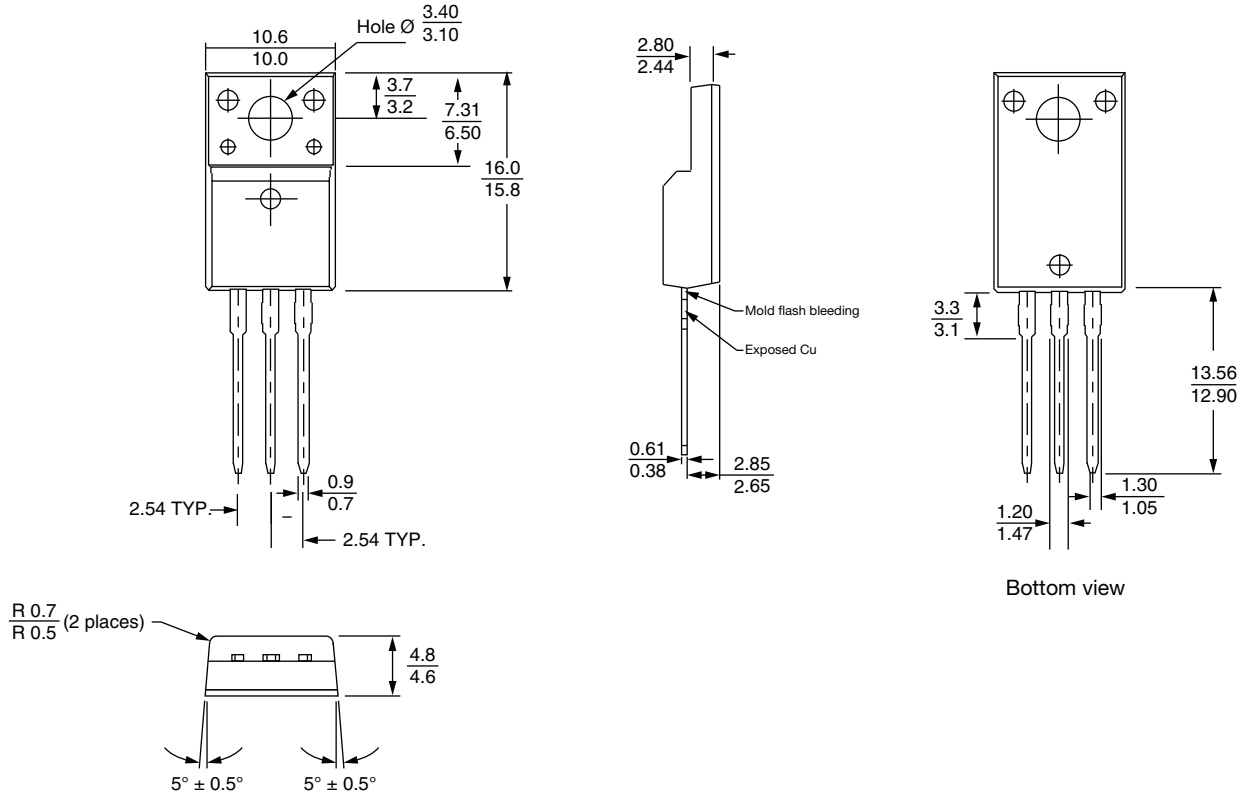




3L TO-220 FullPAK

DIMENSIONS in millimeters



Notes

- (1) All dimensions are in mm
- (2) Package body size exclude mold flash and burrs. Moldflash should be less than 6 mils