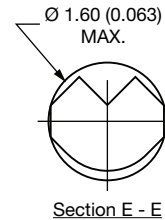
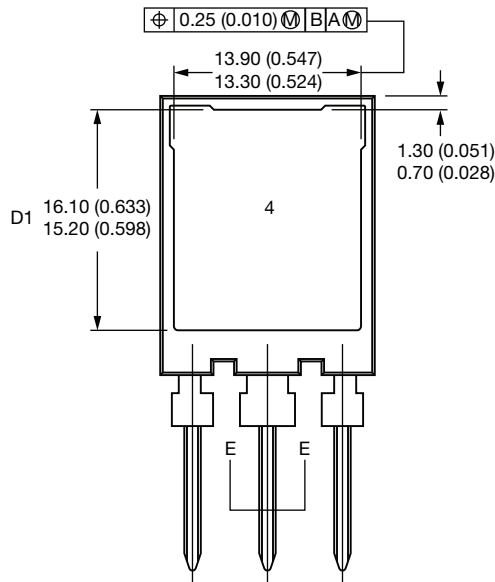
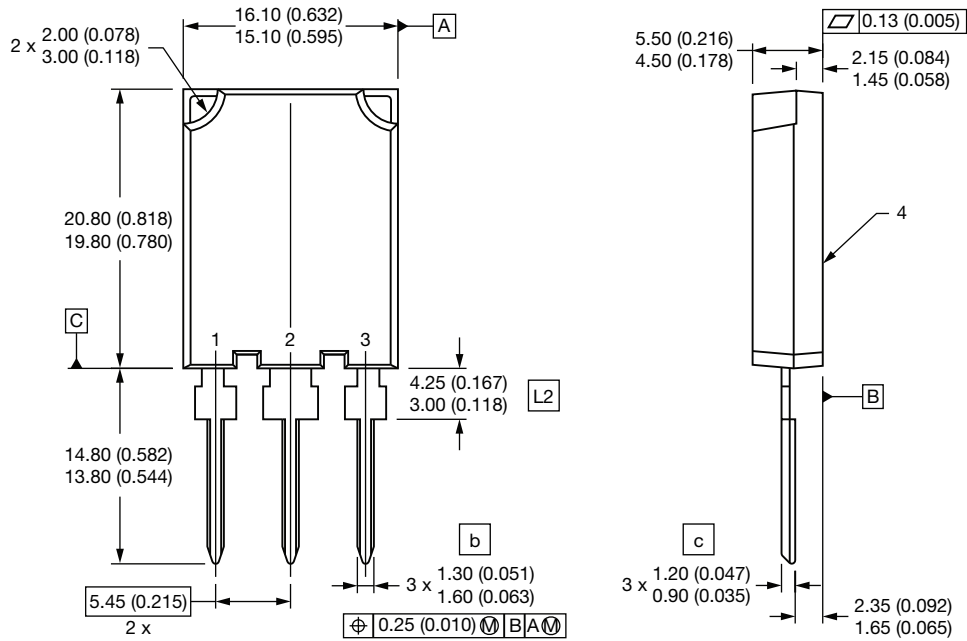




Super TO-247

DIMENSIONS in millimeters (inches)



Lead assignments

SCR

- 1 - Cathode
- 2 - Anode
- 3 - Gate
- 4 - Anode

Notes

- (1) Dimension and tolerancing per ASME Y14.5M-1994
- (2) Controlling dimension: millimeter
- (3) Outline conforms to JEDEC® outline TO-274AA, except D1, b min., c min., L2 min.