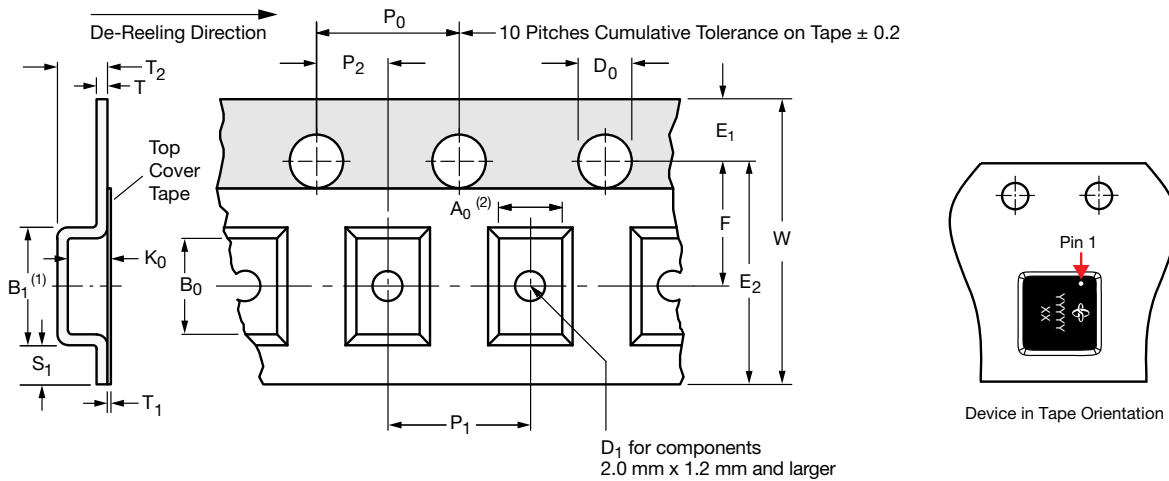


DFN33A

TAPE INFORMATION in inches (millimeters)

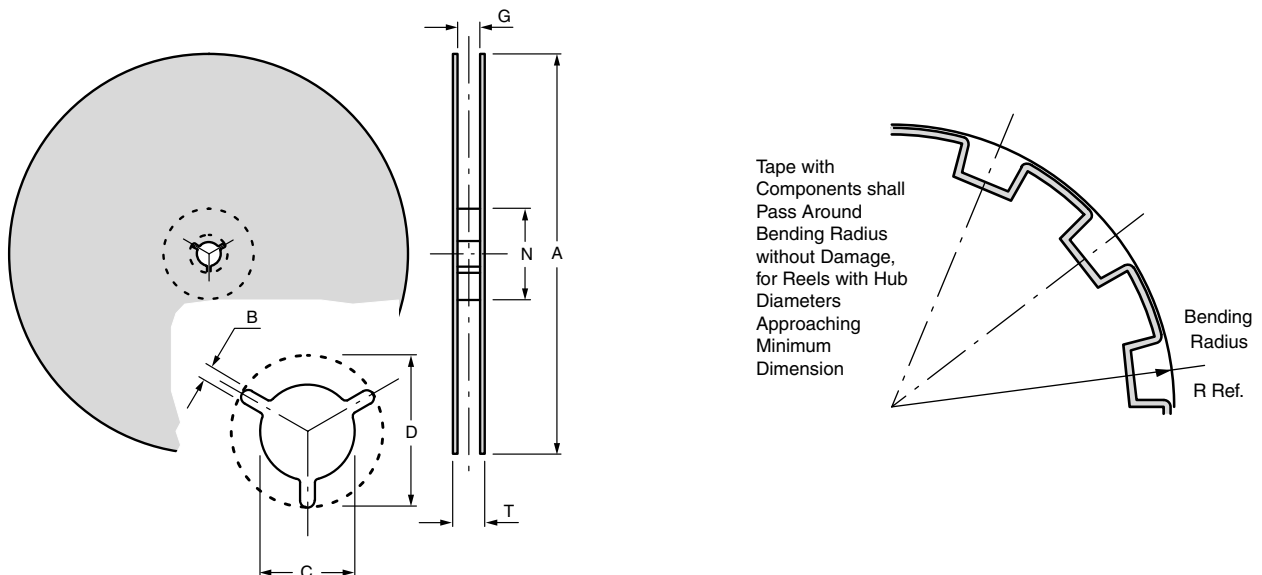


DIMENSIONS in millimeters (inches)							
TAPE SIZE	D ₀	E ₁	P ₀	P ₂	S ₁ MIN.	T MAX.	T ₁ MAX.
12 mm (0.472)	1.5 ± 0.1 (0.059 ± 0.004)	1.75 ± 0.1 (0.069 ± 0.004)	4.0 ± 0.1 (0.157 ± 0.004)	2.0 ± 0.05 (0.079 ± 0.002)	0.6 (0.024)	0.6 (0.024)	0.1 (0.004)
B ₁ MAX.	D ₁ MIN.	E ₂ MIN.	F	P ₁	R REF.	T ₂ MAX.	W MAX.
8.2 (0.323)	1.5 (0.059)	10.25 (0.404)	5.5 ± 0.05 (0.217 ± 0.002)	8.0 ± 0.10 (0.315 ± 0.004)	25 (0.984)	6.5 (0.256)	12.3 (0.484)

Notes

- (1) For machine reference only, including draft and radii concentric around B₀
- (2) A₀, B₀, and K₀ are determined by the maximum dimensions of the component size. The clearance between the component and the cavity must be within 0.05 mm (0.002") min. to 0.5 mm (0.02") max. for 12 mm tape
- (3) All surface mount components are packed in accordance with EIA standard 481-E

REEL INFORMATION in inches (millimeters)



DIMENSIONS in millimeters (inches)							
PACKAGE CODE	A	B MIN.	C	D MIN.	N MIN.	G MAX.	T MAX.
I (13" reel)	330 ± 2.0 (13.0 ± 0.079)	1.5 (0.059)	13.0 ± 0.20 (0.51 ± 0.008)	20.2 (0.795)	50 (1.97)	14.4 (0.567)	18.4 (0.724)