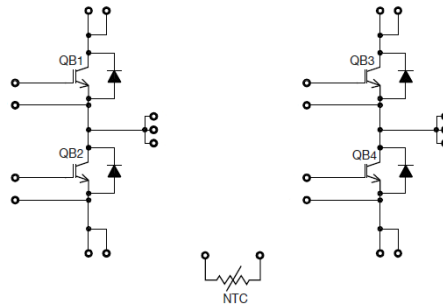
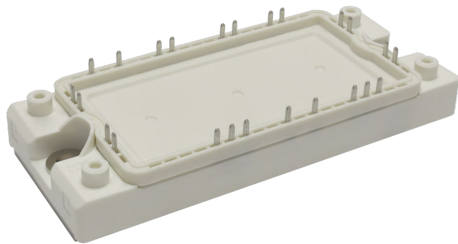


# 1200 V Fourpack IGBT Modules Feature Industry-Standard ECONO 2 Package for High Frequency Industrial Applications



To expand our IGBT modules offering for the industrial market, Vishay’s Power Modules subdivision has released two new devices featuring a fourpack configuration in the industry-standard ECONO 2 package. The modules feature trench field-stop IGBT technology optimized for high frequency switching operations, with short circuit withstand capabilities up to 5  $\mu$ s. The IGBTs are paired with Vishay’s HEXFRED® diodes as anti-parallel diodes for low switching energy during reverse recovery.

The ECONO 2 package features an industry-standard outline and pinout, allowing the devices to serve as drop-in replacements for competing solutions, while offering low thermal resistance to efficiently manage dissipated power.

## Device Specification Table

Vishay Part Number	Package	Type	$V_{CES}$	$I_C$	$V_{ce, sat}^{(1)}$	$E_{on}^{(2)}$	$E_{off}^{(2)}$
<a href="#">VS-GT51YF120NT</a>	ECONO 2	Industrial	1200 V	50 A	2.34 V	1.58 mJ	2.52 mJ
<a href="#">VS-GT76YF120NT</a>				75 A	2.2 V	3.35 mJ	4.28 mJ

### Notes

(1) Typical value at  $I_C = 50$  A to 75 A,  $T_J = 25$  °C

(2) Typical value at  $I_C = 50$  A to 75 A,  $V_{cc} = 600$  V,  $R_g = 4.7$   $\Omega$ ,  $T_J = 125$  °C

## Features

- Trench field-stop IGBT technology with short circuit ruggedness
- Low switching energy for improved performance at high frequencies
- HEXFRED® diode technology for low switching energy
- Isolated copper base plate



The DNA of tech.™



### Main Applications

- Motor drives
- High frequency welding
- Industrial power converters
- Switching power supplies

### Useful Links

- [Product page](#)
- [IGBT modules](#)
- [Order samples](#)
- [ECONO 2 mounting instructions](#)

For further information, please contact your regional Vishay office.

#### Contact Information

##### The Americas

**Vishay Semiconductors**  
**One Greenwich Place,**  
**Shelton CT 06484 USA**  
**Phone: +1 402 563 6866**  
**Fax: +1 402 563 6296**

[Diodes-Americas@vishay.com](mailto:Diodes-Americas@vishay.com)

##### Europe

**Vishay Semiconductors**  
**Theresienstrasse 2**  
**D-74072 Heilbronn, Germany**  
**Phone: +49 7131 7498 656 (or**  
**715)**  
**Fax: +49 7131 67 2938**

[Diodes-Europe@vishay.com](mailto:Diodes-Europe@vishay.com)

##### Asia / Pacific

**Vishay Semiconductors**  
**37A Tampines Street 92 #07-01**  
**Singapore, 528886**  
**Phone: +65 6788 6668**  
**Fax: +65 6788 988**

[Diodes-Asia@vishay.com](mailto:Diodes-Asia@vishay.com)