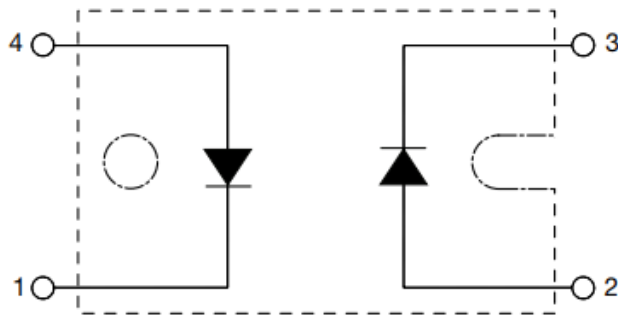
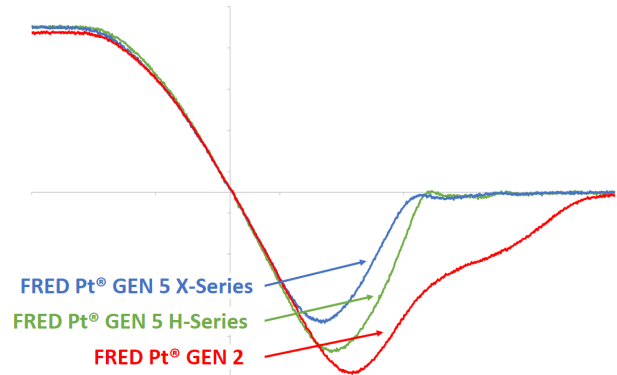
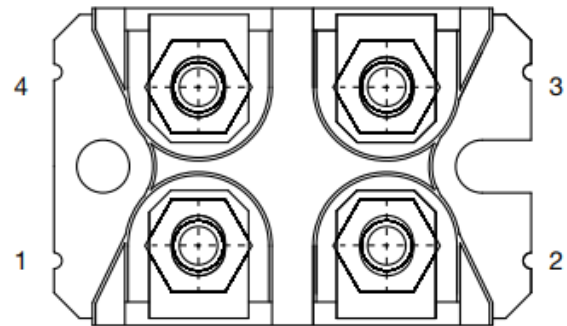


# 2 x 60 A, 1200 V FRED Pt® Gen 5 Diodes in New Antiparallel Configuration Feature Market Standard SOT-227 Package

To address increasing market interest, Vishay's Power Modules has released new products based on ultrafast (H Series) and hyperfast (X Series) FRED Pt® Gen 5 technology that feature **an antiparallel configuration**.



Lead Assignment



## Device Specification Table

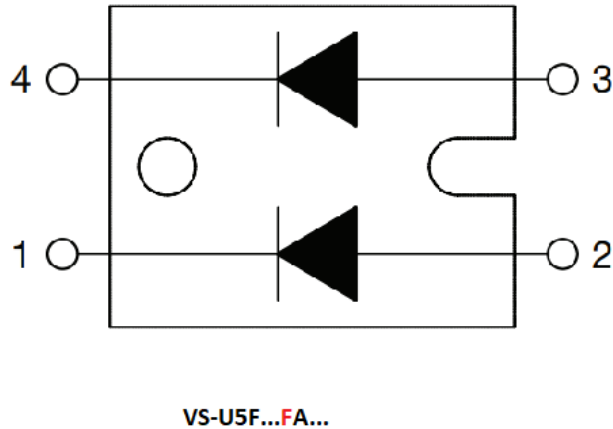
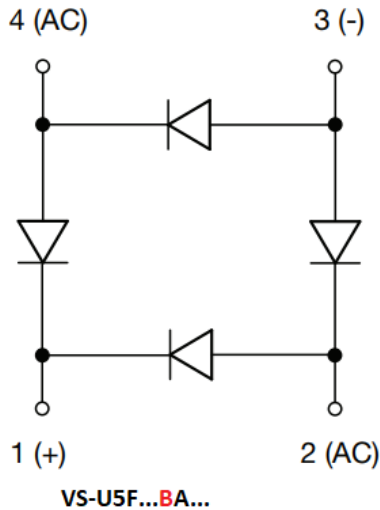
Vishay Part Number	Package	Type	$V_{RRM}$	$I_F$	$V_F^{(1)}$	$t_{rr}^{(2)}$
<a href="#">VS-U5FH120EA120</a>	SOT-227	Industrial	1200 V	2 x 60 A	1.74 V	114 ns
<a href="#">VS-U5FX120EA120</a>					2.15 V	91 ns

Notes


(1) Typical value at  $I_F = 60$  A,  $T_J = 150$  °C

(2) Typical value at  $I_F = 60$  A,  $T_J = 125$  °C,  $di/dt = 1000$  A/ $\mu$ s,  $V_R = 800$  V

These two new part numbers join Vishay's existing family of [Gen 5 FRED Pt® diodes in SOT-227](#), which were previously only offered in single bridge ("B") and parallel diodes ("F") configurations.



## Features

- Optimized  $Q_{rr}$
- Best in class forward voltage drop and switching losses trade-off
- $T_J \text{ max.} = 175 \text{ }^\circ\text{C}$
- Electrically isolated baseplate
- Large creepage distance between terminals
- UL-approved file E78996 

## Main Applications

- EV / HEV battery charging stations
- Booster stage for solar inverters
- UPS
- Industrial power converters
- Switching power supplies

## Samples

Available at Vishay Sample Service Center (VSSC)



The DNA of tech.™



For further information, please contact your regional Vishay office.

Contact Information

The Americas

Vishay Semiconductors
150 Motor Parkway,
Suite 119
Hauppauge NY 11788 USA
Phone: +1 631 300 3816
Fax: +1 631 300 3843
Diodes-Americas@vishay.com

Europe

Vishay Semiconductors
Theresienstrasse 2
D-74072 Heilbronn, Germany
Phone: +49 7131 7498 656 (or
715)
Fax: +49 7131 67 2938
Diodes-Europe@vishay.com

Asia / Pacific

Vishay Semiconductors
15D, Sun Tong Infoport Plaza
55 Huai Hai West Road
Shanghai, China 200030
Phone: +86 138 1787 2112
Fax: +86 21 5258 7979
Diodes-Asia@vishay.com