



The DNA of tech.™

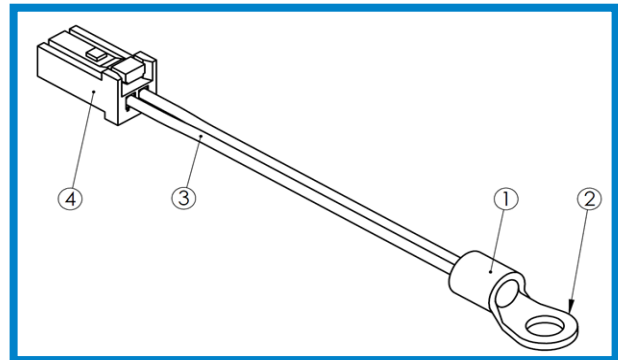


# Vishay Introduces Online Customization Form for NTC LUG Thermistor Sensors, Allowing Additional Design Flexibility

Vishay's new online NTC LUG thermistor sensor assemblies modification request form provides design engineers with the ability to detail technical requirements tailored to their specific needs and applications. Our product specialists will evaluate each request independently and recommend the ideal product solution.

The following key product attributes can be specified via the form:

- **Electrical**
  - ① NTC Thermistor Characteristics
- **Mechanical**
  - ② Screw Size
  - ③ Cable
  - ④ Connector
- **Qualifications**
  - Automotive AEC-Q200
  - UL Recognition



The added flexibility of customized options will enable engineers to innovate on-demand and accelerate product designs to reduce the time to market.

In addition, a complete custom assembly solution from Vishay can eliminate the need for additional cable harness services, thus reducing cost with a simplified supply chain.

## Start your customization request by visiting:

- [Vishay NTC LUG Modification Request Form](#)



The DNA of tech.™



## Useful Links

- Infographic <https://www.vishay.com/doc?48145>
- Capabilities & Custom Options <https://www.vishay.com/doc?48301>
- Handling & Mounting <https://www.vishay.com/doc?29221>
- R-T Table Program <https://www.vishay.com/thermistors/ntc-rt-calculator/>
- 3D Models & SPICE Simulation <https://www.vishay.com/thermistors/ntc/tab/designtools/>

## Contact Information

[CustomNLR@vishay.com](mailto:CustomNLR@vishay.com)