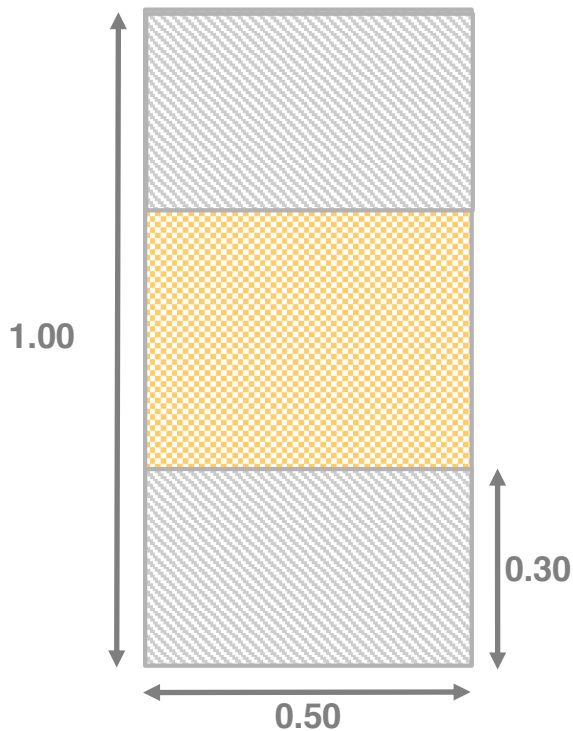


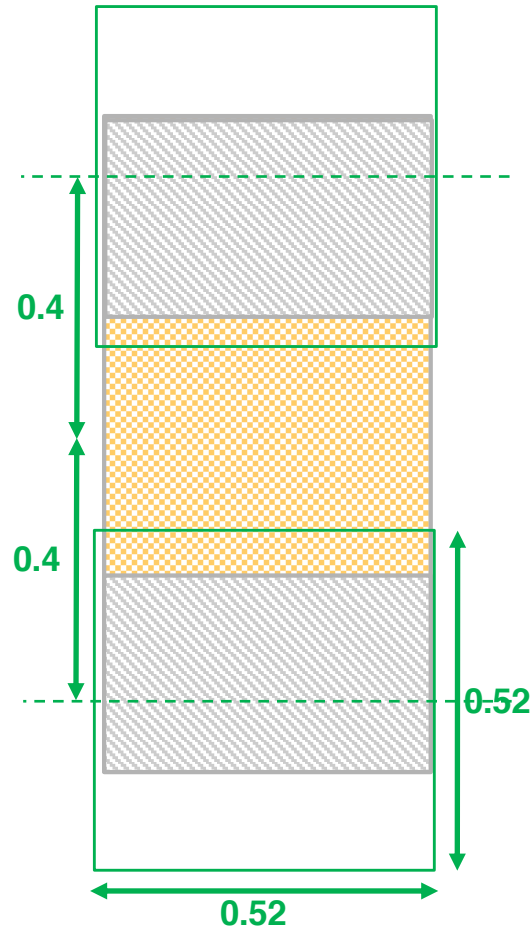


0402 MLCC – 298D (K-CASE) TANTALUM

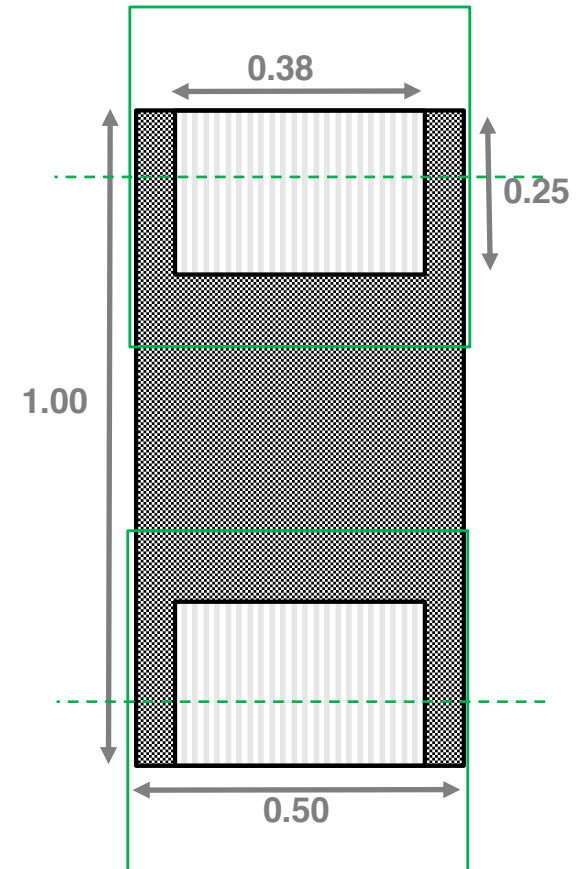
0402 MLCC
EIA Size Code



0402 MLCC
Land Pattern
(IPC-7351)



Vishay 298D
“K” Case
(1005)

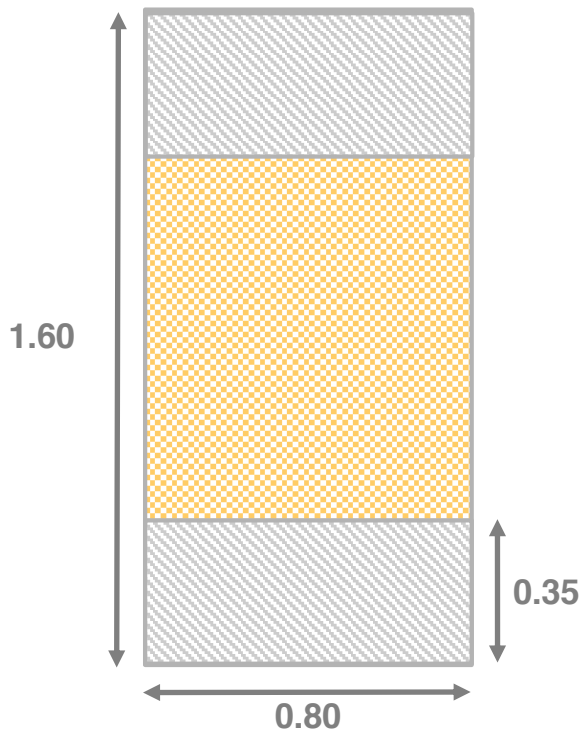


All dimensions in millimeters (mm)

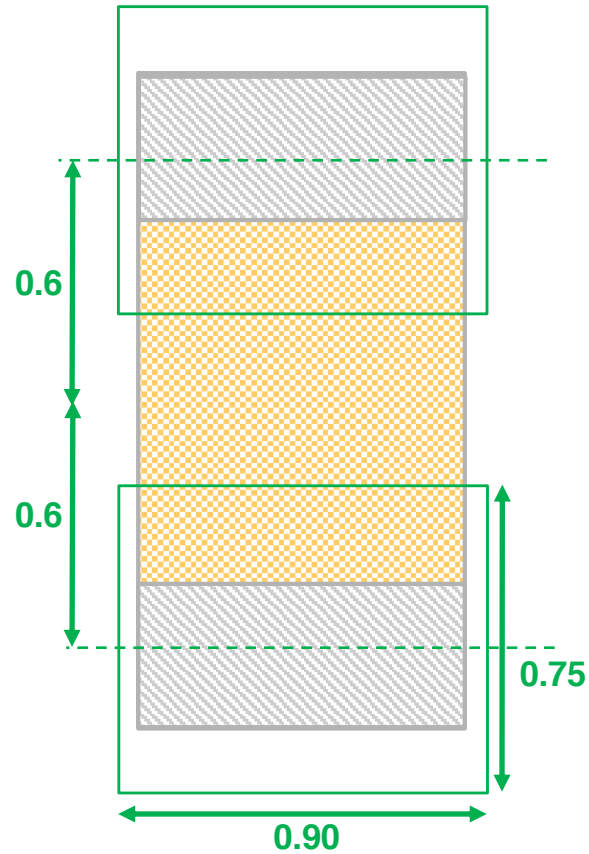


0603 MLCC – T55 (J-CASE) POLYMER

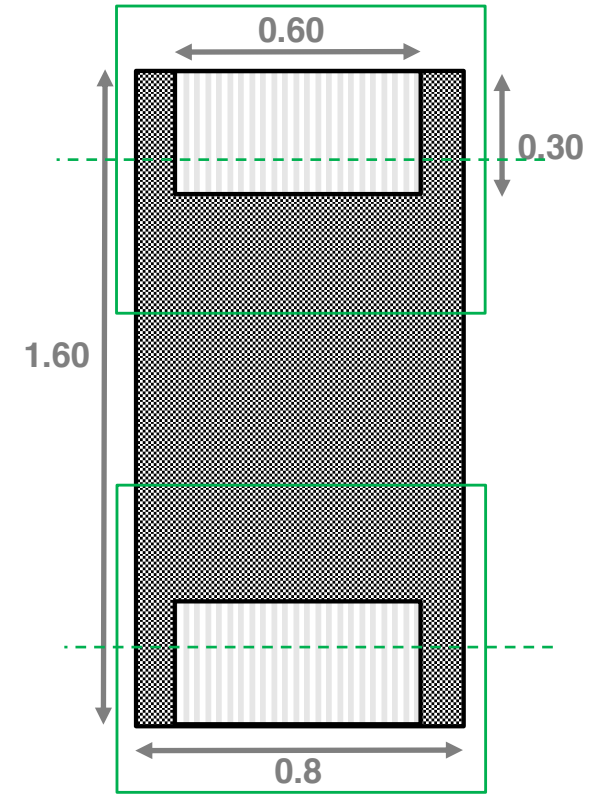
0603 MLCC
EIA Size Code



0603 MLCC
Land Pattern
(IPC-7351)



Vishay T55
“J” Case
(1608)

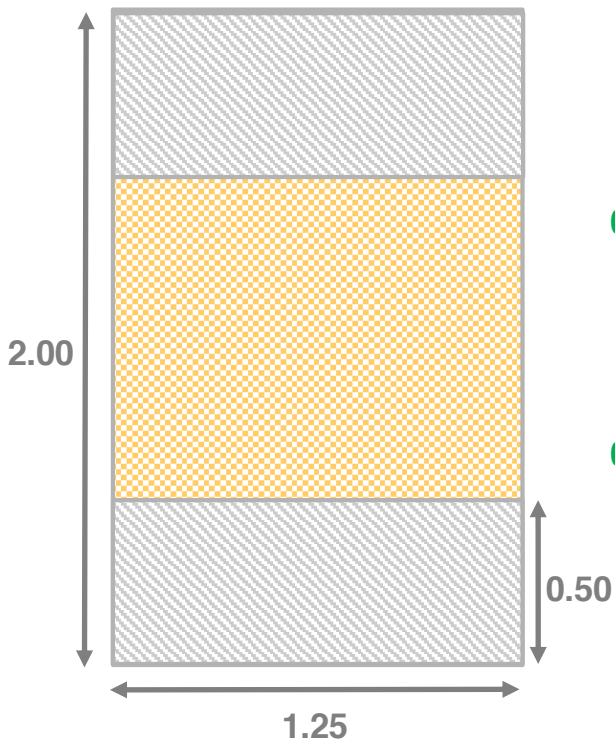


All dimensions in millimeters (mm)

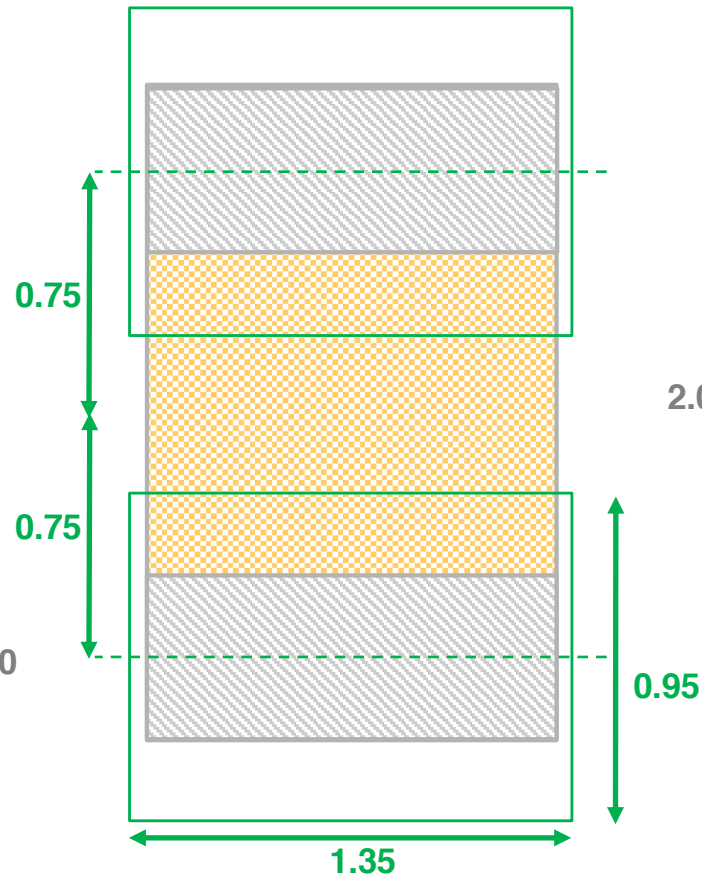


0805 MLCC – T55 (P-CASE) POLYMER

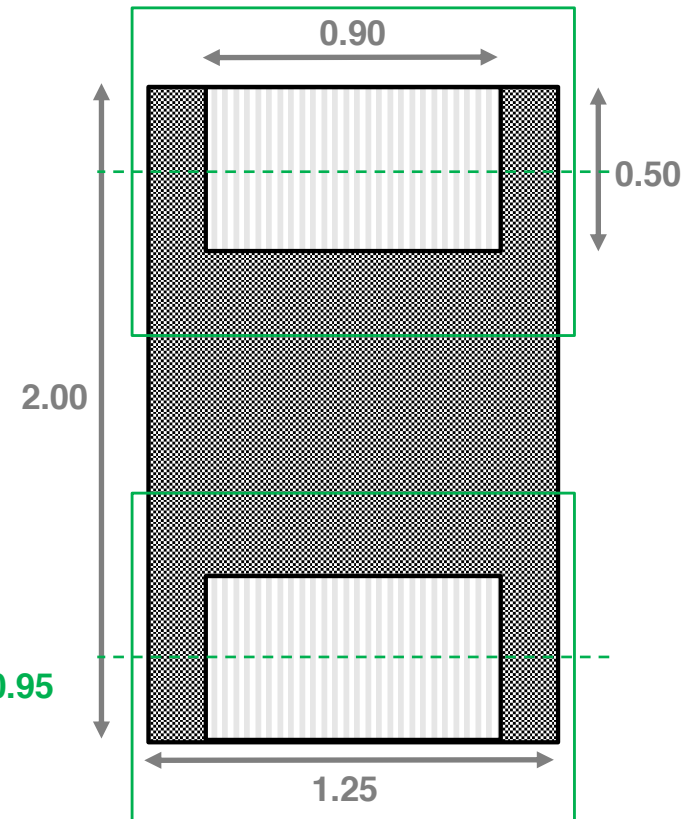
0805 MLCC
EIA Size Code



0805 MLCC
Land Pattern
(IPC-7351)



Vishay T55
“P” Case
(2012)

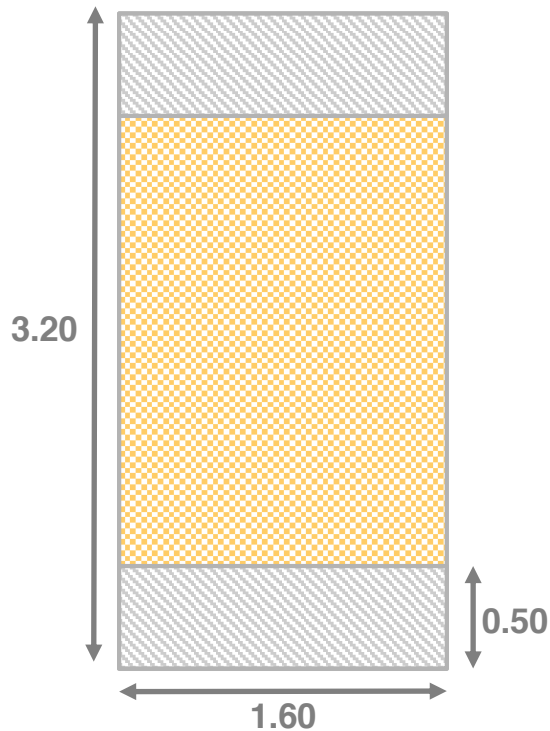


All dimensions in millimeters (mm)

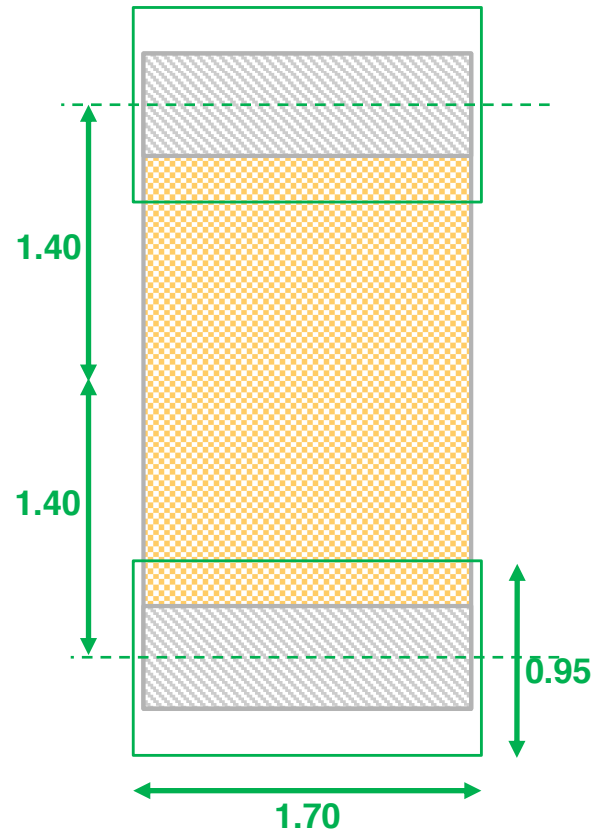


1206 MLCC – T55 (A-CASE) POLYMER

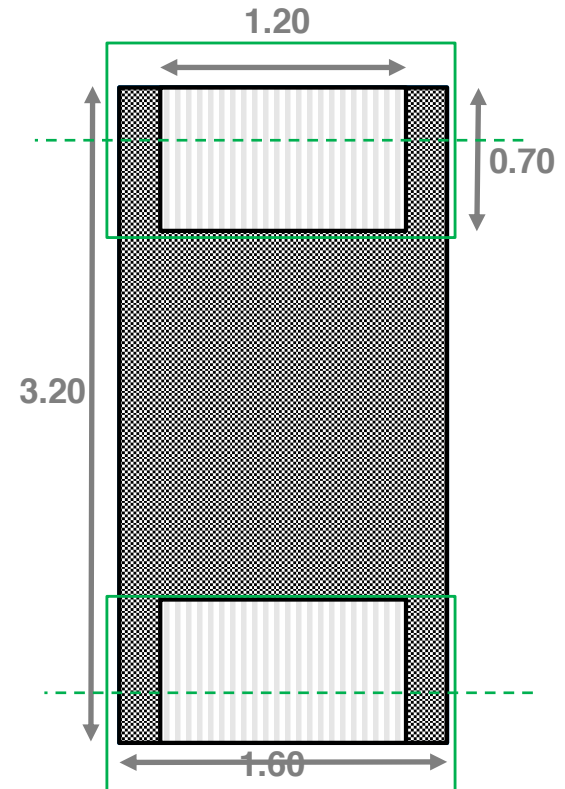
1206 MLCC
EIA Size Code



1206 MLCC
Land Pattern
(IPC-7351)



Vishay T55
“A” Case
(3216)

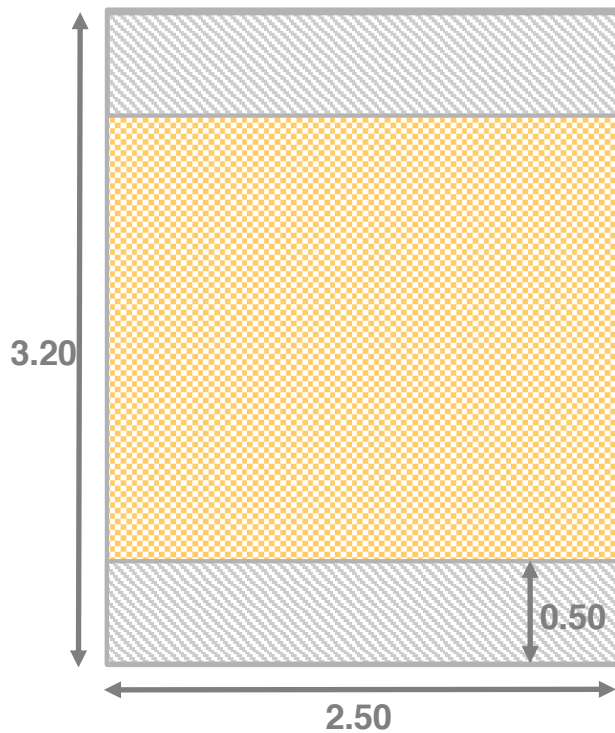


All dimensions in millimeters (mm)

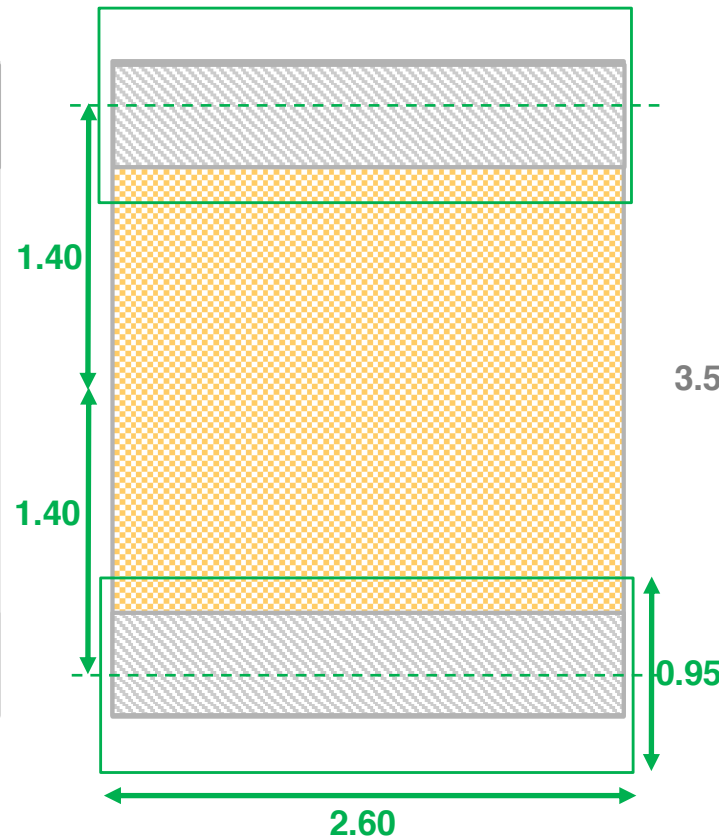


1210 MLCC – T55 (T/B-CASE) POLYMER

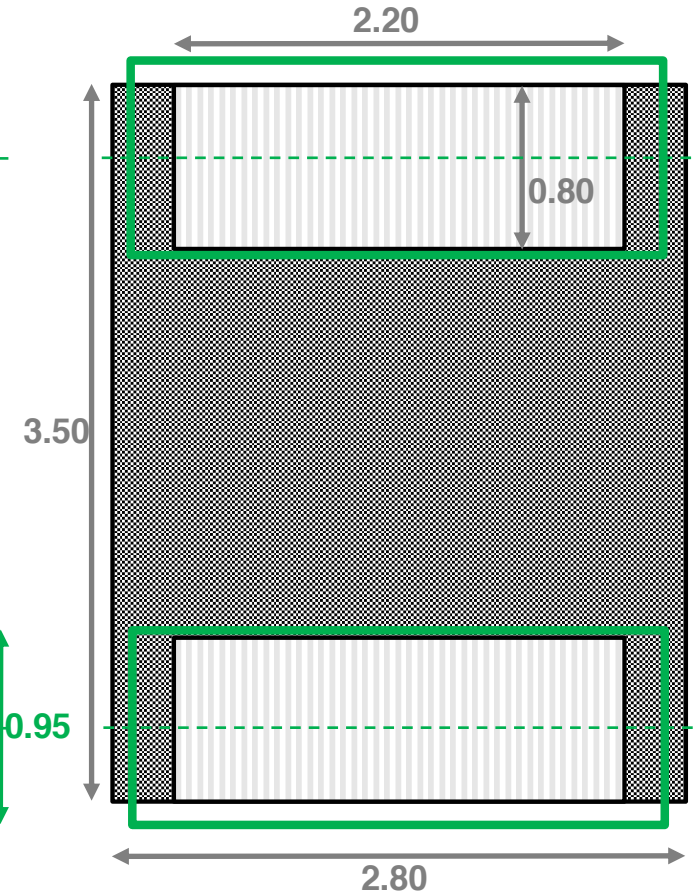
1210 MLCC
EIA Size Code



1210 MLCC
Land Pattern
(IPC-7351)



Vishay T55
“T” & “B” Case
(3528)



All dimensions in millimeters (mm)