

RF Power Barrel Capacitors for Higher Voltages Class 1 Ceramic



FEATURES

- High voltage and power rating
- Low inner inductance allows operation to high frequency

APPLICATIONS

Filter, bypass and coupling circuits

CAPACITANCE RANGE

1000 pF

CAPACITANCE TOLERANCE

± 20 %

CERAMIC DIELECTRICS

R230 (TCC - 750 ppm/K)

RATED VOLTAGE

40 kV_p

DIELECTRIC STRENGTH TEST

60 000 V_{DC} (2 minutes)

30 000 V_{RMS} (50 Hz, 3 minutes)

DISSIPATION FACTOR

Max. 0.05 % (300 kHz or 100 kHz)

INSULATION RESISTANCE

Min. 100 000 MΩ (at 25 °C)

OPERATING TEMPERATURE RANGE

-55 °C to +100 °C

QUICK REFERENCE DATA

DESCRIPTION	VALUE
Ceramic Class	1
Ceramic Dielectric	R230
Type	TOSZ 114096
Voltage (V _p)	40 000
Min. Capacitance (pF)	1000
Max. Capacitance (pF)	1000
Mounting	Screw terminal

MATERIAL

Capacitor elements made from class 1 ceramic dielectric with noble metal electrodes.

Connection terminals:

thread terminal, copper / brass, silver plated.

Allowable torque: 1/4-20 UNC thread 6.9 Nm (61.5 lbf in)

8-32 UNC thread 1.8 Nm (16.2 lbf in)

FINISH

Capacitor body completely protective lacquered.

MARKING

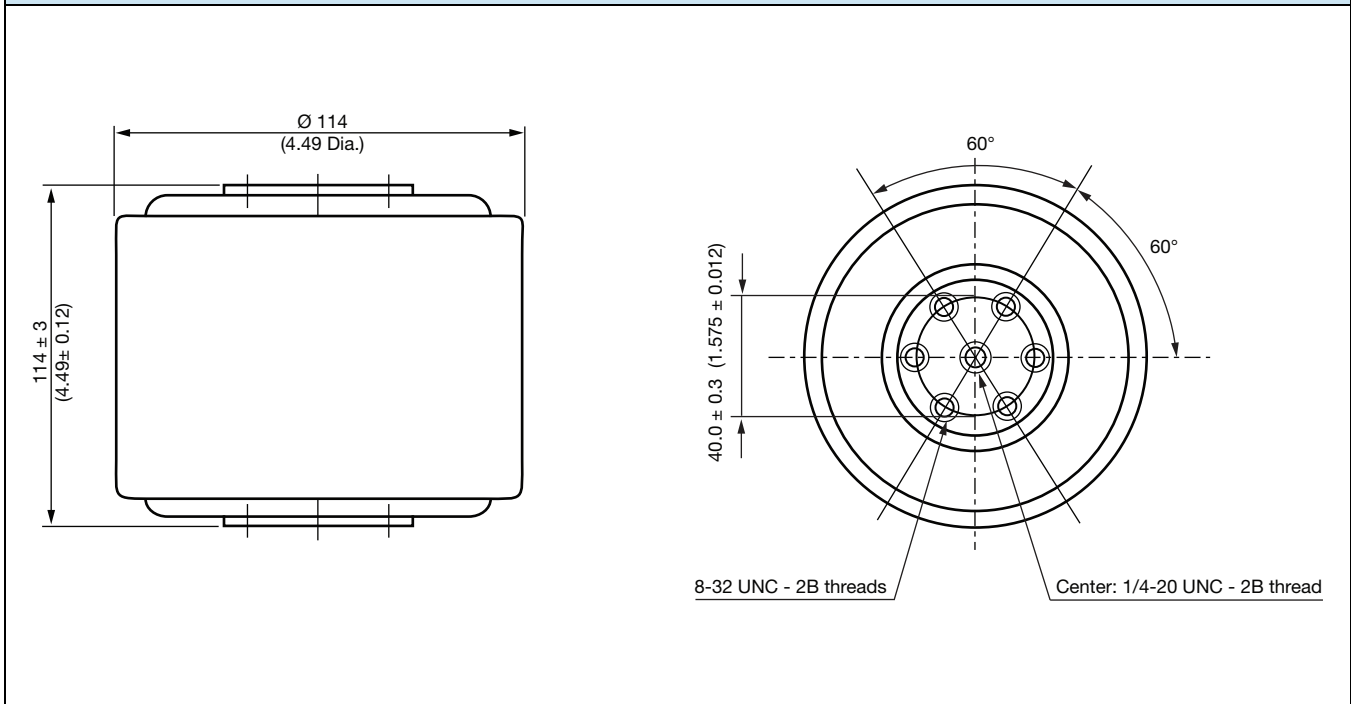
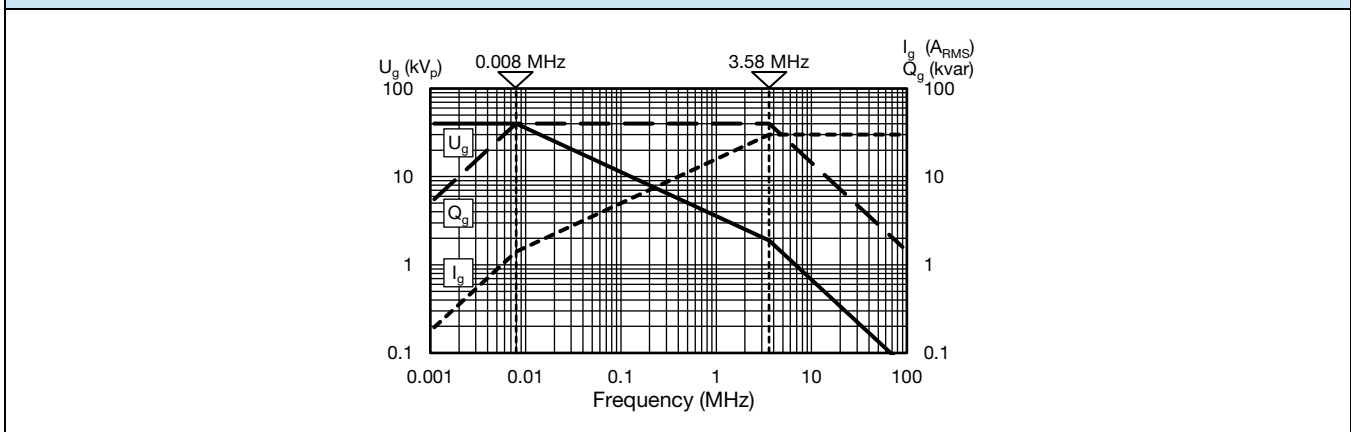
Type designator, capacitance value and tolerance, rated peak voltage, ceramic material code, production date code, manufacturer logo, serial no.

SAP PART NUMBER AND ELECTRICAL DATA

PART NUMBER	CERAMIC	CAP. VALUES (pF)	RATED VOLTAGE (kV _p)	RATED POWER ⁽¹⁾ (kvar)	RATED CURRENT (A _{RMS})
BZ114096WZ10238BK1	R230	1000	40	40	30

Note

(1) The surface temperature during operation must not exceed +100 °C

DIMENSIONS in millimeters (inches)

DERATING DIAGRAM

RELATED DOCUMENTS

General Information

www.vishay.com/doc?22071



Disclaimer

ALL PRODUCT, PRODUCT SPECIFICATIONS AND DATA ARE SUBJECT TO CHANGE WITHOUT NOTICE TO IMPROVE RELIABILITY, FUNCTION OR DESIGN OR OTHERWISE.

Vishay Intertechnology, Inc., its affiliates, agents, and employees, and all persons acting on its or their behalf (collectively, "Vishay"), disclaim any and all liability for any errors, inaccuracies or incompleteness contained in any datasheet or in any other disclosure relating to any product.

Vishay makes no warranty, representation or guarantee regarding the suitability of the products for any particular purpose or the continuing production of any product. To the maximum extent permitted by applicable law, Vishay disclaims (i) any and all liability arising out of the application or use of any product, (ii) any and all liability, including without limitation special, consequential or incidental damages, and (iii) any and all implied warranties, including warranties of fitness for particular purpose, non-infringement and merchantability.

Statements regarding the suitability of products for certain types of applications are based on Vishay's knowledge of typical requirements that are often placed on Vishay products in generic applications. Such statements are not binding statements about the suitability of products for a particular application. It is the customer's responsibility to validate that a particular product with the properties described in the product specification is suitable for use in a particular application. Parameters provided in datasheets and / or specifications may vary in different applications and performance may vary over time. All operating parameters, including typical parameters, must be validated for each customer application by the customer's technical experts. Product specifications do not expand or otherwise modify Vishay's terms and conditions of purchase, including but not limited to the warranty expressed therein.

Hyperlinks included in this datasheet may direct users to third-party websites. These links are provided as a convenience and for informational purposes only. Inclusion of these hyperlinks does not constitute an endorsement or an approval by Vishay of any of the products, services or opinions of the corporation, organization or individual associated with the third-party website. Vishay disclaims any and all liability and bears no responsibility for the accuracy, legality or content of the third-party website or for that of subsequent links.

Except as expressly indicated in writing, Vishay products are not designed for use in medical, life-saving, or life-sustaining applications or for any other application in which the failure of the Vishay product could result in personal injury or death. Customers using or selling Vishay products not expressly indicated for use in such applications do so at their own risk. Please contact authorized Vishay personnel to obtain written terms and conditions regarding products designed for such applications.

No license, express or implied, by estoppel or otherwise, to any intellectual property rights is granted by this document or by any conduct of Vishay. Product names and markings noted herein may be trademarks of their respective owners.