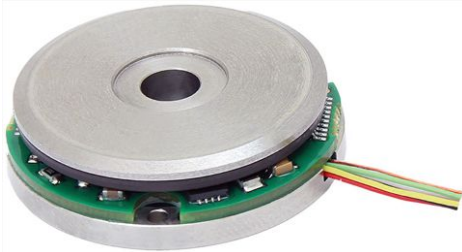


Rotational Absolute Magnetic Kit Encoder Version 27 mm HP Position Sensor



FEATURES

- Hall effect principle
- High precision (HP), high resolution
- Especially dedicated to harsh conditions (vibrations, shocks, CEM, ...)
- Not sensitive to external magnetic fields and temperature
- Not sensitive to moisture and pollution
- Plug and play
- Protected design, patent EP 2711663
- Material categorization: for definitions of compliance please see www.vishay.com/doc?99912

LINKS TO ADDITIONAL RESOURCES



QUICK REFERENCE DATA	
Sensor type	ROTATIONAL, magnetic technology
Output type	Wires
Market appliance	Industrial
Dimensions	Diameter 27.3 mm

ELECTRICAL SPECIFICATIONS	
PARAMETER	
Voltage supply	5 V ± 0.25 V
Current supply	≤ 130 mA at 5 V
Output	SSI
Connection	Ultra-flex AWG32 wires (shielded cable and connector on request)
Useful electrical angle	360°
Absolute accuracy at 25 °C	± 0.03° > 13 bits
Absolute accuracy at -40 °C to +105 °C	± 0.05° ~ 13 bits
Resolution	≈ 0.0028° (17 bits, 131 072 points) over 360°
Startup time	≤ 20 ms
Refresh time	≤ 110 μs
Latency time	100 μs ≤ latency time ≤ 200 μs
Sampling rate	10 kHz ± 5 %

MECHANICAL SPECIFICATIONS	
PARAMETER	
Mechanical angle	360°
Maximum speed rotation	50 rpm (up to 1000 rpm with decreasing of accuracy, see "Maximum Speed vs. Accuracy" chart)
Weight	Rotor: 6.7 g ± 0.5 g; stator: 7 g ± 1 g
Coating	On the two sides of PCB



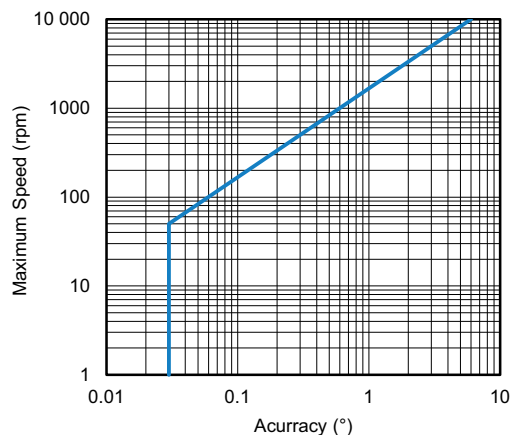
SAP PART NUMBERING GUIDELINES										
TYPE	MODEL	DESIGN	SIZE (mm)	TYPE	FUNCTION	ACCURACY (BITS)	RESOLUTION (BITS)	OUTPUT	PACKAGING	3 DIGITS
R = rotational	AM	K = kit	027	M	1	13	16	J	B = box	To consult Vishay for dedicated 3 digits

PERFORMANCE	
PARAMETER	
Operating temperature range	-40 °C to +105 °C
Storage temperature range	-45 °C to +105 °C
Acceleration	100 g for 1 s
Vibration	0.05 g ² /Hz, 20 Hz to 2000 Hz for 1 h along the three major axis
Shock	180 g, 14 ms, 1/2 sine
EMC	<p>According to MIL-STD-461F:</p> <ul style="list-style-type: none"> - RE101: radiated emissions, magnetic field, 30 Hz to 100 kHz - limit for all navy applications to figure RE101-2 - RE102: radiated emissions, electric field, (10 kHz to 18 GHz) - curve for fixed wing external and helicopters at 2 MHz to 18 GHz, according to figure RE102-3 ⁽¹⁾ - RS101: radiated susceptibility, magnetic field, 30 Hz to 100 kHz - limit for all navy applications according to figure RS101-1 - RS103: radiated susceptibility, electric field, (2 MHz to 40 GHz) - 200 V/m, according to Table XI, aircraft external
Humidity	HR ≤ 88 % (non-condensing) operating 48 hours

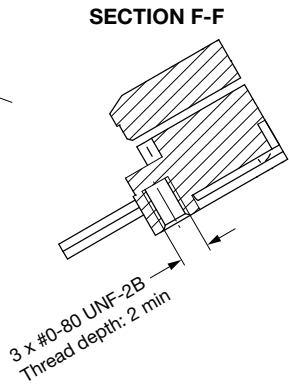
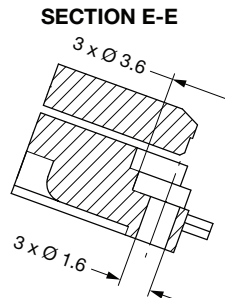
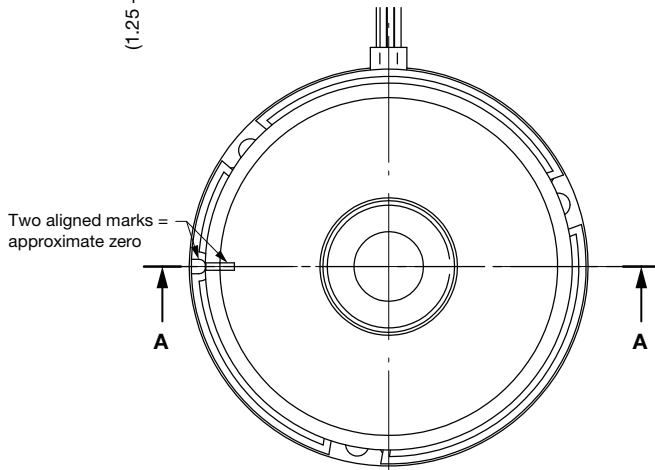
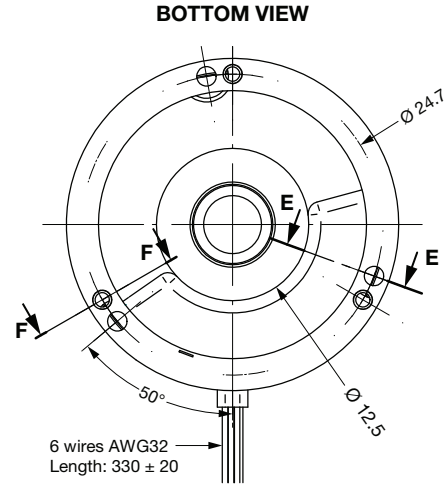
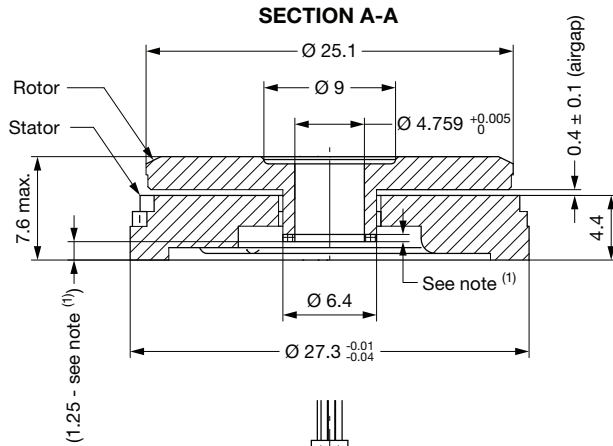
Note

⁽¹⁾ For the test setup, the RAMK027 metallic support for the stator is directly bonded with a braid to the ground plane and additional connection of the cable shielding to the ground plane

MAXIMUM SPEED VS. ACCURACY CHART (latency time excluded)



DIMENSIONS in millimeters



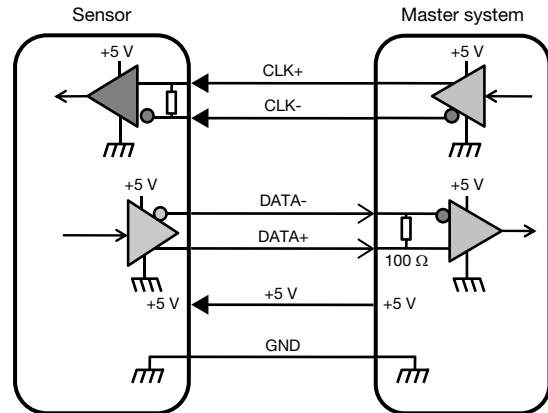
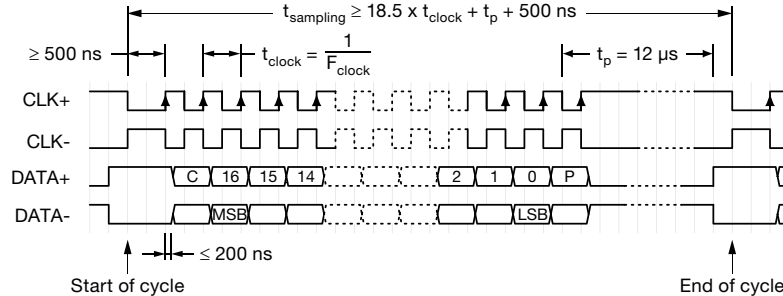
Note

(1) The washer to set the airgap with respect to distance between stator and rotor reference of 1.25 is not the supplied. Only its thickness is supplied with the encoder

ELECTRICAL INTERFACE DESCRIPTION - SSI INTERFACE

6 WIRES CONNECTIONS	
NAME	WIRE COLOR
GND	Black
+5 V	Red
CLK+	White
CLK-	Clear
DATA+	Yellow
DATA-	Green

SSI PARAMETERS	
Output code	Binary
Data differential interface	RS422 according to EIA-RS422
CLK differential interface	RS422 according to EIA-RS422
Minimum clock frequency	300 kHz
Maximum clock frequency	4 MHz
Data bit (n)	19 bits
C: consistency of all internal magnetic cells outputs	Bit "C": 0 → compliant / 1 → not compliant
16-0: angle	Bit "16-0": angle value
P: parity of this bits "C" to "16"	Bit "P": 0 → pair sum / 1 → impair sum


Timing Diagram

OPTIONS

- Other design on request (mechanical interfaces, electrical interfaces, ...)



Disclaimer

ALL PRODUCT, PRODUCT SPECIFICATIONS AND DATA ARE SUBJECT TO CHANGE WITHOUT NOTICE TO IMPROVE RELIABILITY, FUNCTION OR DESIGN OR OTHERWISE.

Vishay Intertechnology, Inc., its affiliates, agents, and employees, and all persons acting on its or their behalf (collectively, "Vishay"), disclaim any and all liability for any errors, inaccuracies or incompleteness contained in any datasheet or in any other disclosure relating to any product.

Vishay makes no warranty, representation or guarantee regarding the suitability of the products for any particular purpose or the continuing production of any product. To the maximum extent permitted by applicable law, Vishay disclaims (i) any and all liability arising out of the application or use of any product, (ii) any and all liability, including without limitation special, consequential or incidental damages, and (iii) any and all implied warranties, including warranties of fitness for particular purpose, non-infringement and merchantability.

Statements regarding the suitability of products for certain types of applications are based on Vishay's knowledge of typical requirements that are often placed on Vishay products in generic applications. Such statements are not binding statements about the suitability of products for a particular application. It is the customer's responsibility to validate that a particular product with the properties described in the product specification is suitable for use in a particular application. Parameters provided in datasheets and / or specifications may vary in different applications and performance may vary over time. All operating parameters, including typical parameters, must be validated for each customer application by the customer's technical experts. Product specifications do not expand or otherwise modify Vishay's terms and conditions of purchase, including but not limited to the warranty expressed therein.

Hyperlinks included in this datasheet may direct users to third-party websites. These links are provided as a convenience and for informational purposes only. Inclusion of these hyperlinks does not constitute an endorsement or an approval by Vishay of any of the products, services or opinions of the corporation, organization or individual associated with the third-party website. Vishay disclaims any and all liability and bears no responsibility for the accuracy, legality or content of the third-party website or for that of subsequent links.

Except as expressly indicated in writing, Vishay products are not designed for use in medical, life-saving, or life-sustaining applications or for any other application in which the failure of the Vishay product could result in personal injury or death. Customers using or selling Vishay products not expressly indicated for use in such applications do so at their own risk. Please contact authorized Vishay personnel to obtain written terms and conditions regarding products designed for such applications.

No license, express or implied, by estoppel or otherwise, to any intellectual property rights is granted by this document or by any conduct of Vishay. Product names and markings noted herein may be trademarks of their respective owners.