

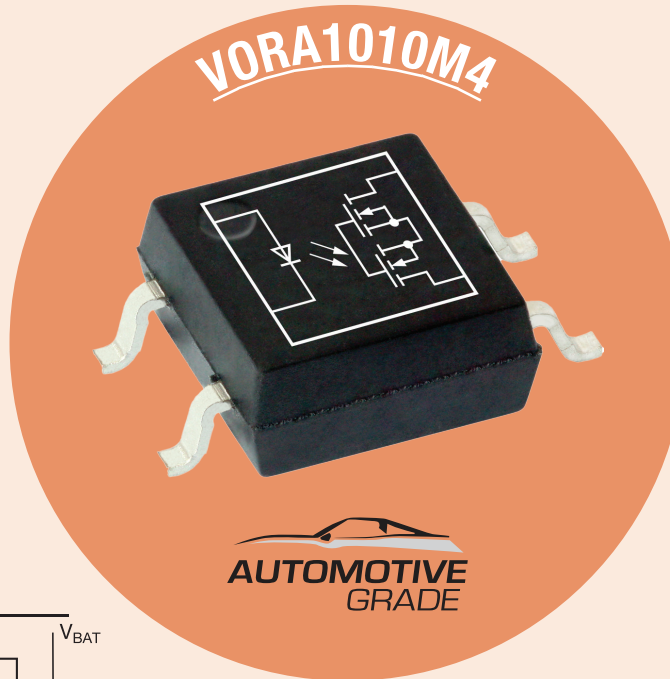
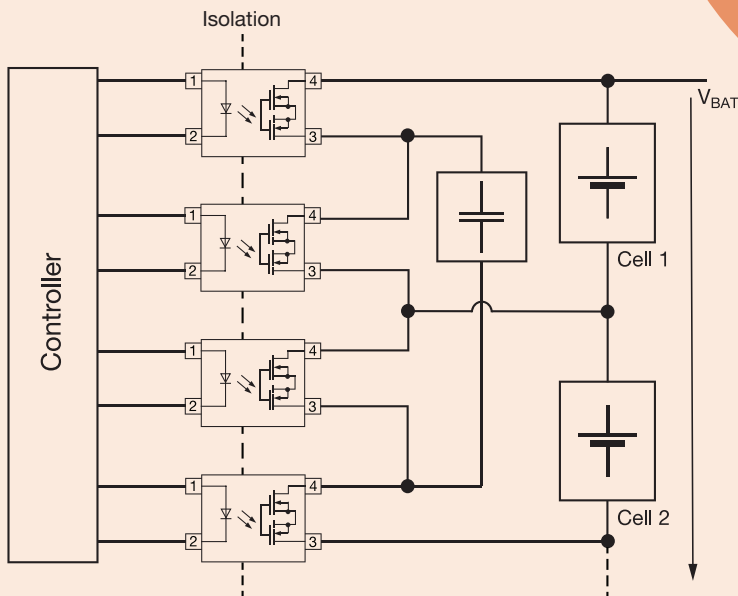


AUTOMOTIVE GRADE 100 V SOLID-STATE RELAY

VISHAY COMPETITIVE ADVANTAGE

- $V_L = 100\text{ V}$ and $I_L = 100\text{ mA}$
- Turn-on time: 0.1 ms
- Turn-off time: 0.1 ms
- Extreme low leakage current = 1 nA
- AEC-Q102 qualified

CELL BALANCING APPLICATION SCHEMATIC



KEY BENEFITS

- Wide operating temperature range: $-40\text{ }^{\circ}\text{C}$ to $+125\text{ }^{\circ}\text{C}$
- No moving parts \rightarrow long life
- Microcontroller-compatible
- Built-in turn-off circuit to achieve fast turn-off
- Small footprint and easy application

APPLICATIONS

- Replace mechanical relays
- Cell balancing in BMS, inverters
- Energy storage systems
- Industrial automation



AUTOMOTIVE



ENERGY SECTOR

For technical questions: optocoupleranswers@vishay.com

© 2024 VISHAY INTERTECHNOLOGY, INC. ALL RIGHTS RESERVED.

IG35545533-2402