

1 5/16" (33.3 mm) Single Turn Wirewound Precision Potentiometer



FEATURES

- Gangable up to 6 sections
- Extra taps on request
- Bushing and servo mount types available
- Ohmic value range: 5 Ω up to 35 kΩ
- Material categorization: for definitions of compliance please see www.vishay.com/doc?99912


RoHS
COMPLIANT

QUICK REFERENCE DATA	
Sensor type	ROTATIONAL, single turn wirewound
Output type	Output by turrets
Market appliance	Industrial
Dimensions	1 5/16" (33.3 mm)

ELECTRICAL SPECIFICATIONS		
PARAMETER	STANDARD	SPECIAL
Total resistance: Tolerance: 50 Ω and above Below 50 Ω	5 Ω to 20 kΩ ± 3 % ± 5 %	to 35 kΩ ± 1 % ± 3 %
End voltage	Linearity x total applied voltage for total resistance above 20 Ω. 2.0 % of total applied voltage for 20 Ω and below	
Linearity (independent): 5 Ω to 100 Ω 100 Ω to 500 Ω 500 Ω to 3 kΩ 3 kΩ to 15 kΩ 15 kΩ and above	STANDARD ± 1.0 % ± 0.5 % ± 0.5 % ± 0.5 % ± 0.5 %	BEST PRACTICAL ± 0.50 % ± 0.35 % ± 0.25 % ± 0.20 % ± 0.15 %
Noise	100 Ω ENR (MIL-R-12934)	
Electrical angle	352° ± 2°	
Power rating	2.75 W at 40 °C ambient	
Insulation resistance	100 MΩ min, 500 V _{DC}	
Dielectric strength	1000 V _{RMS} , 60 Hz	
Taps (extra)	Up to 13 (position tolerance: ± 1°)	
Phasing	CCW taps of multiple sections aligned with CCW tap of section 1 to ± 1°	
Absolute minimum resistance	Linearity x total resistance or 0.5 Ω, whichever is greater	

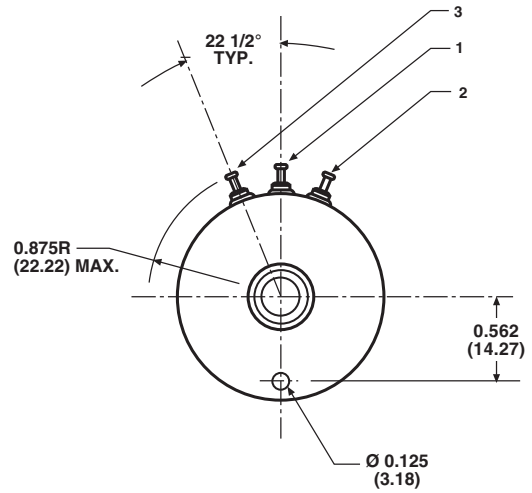
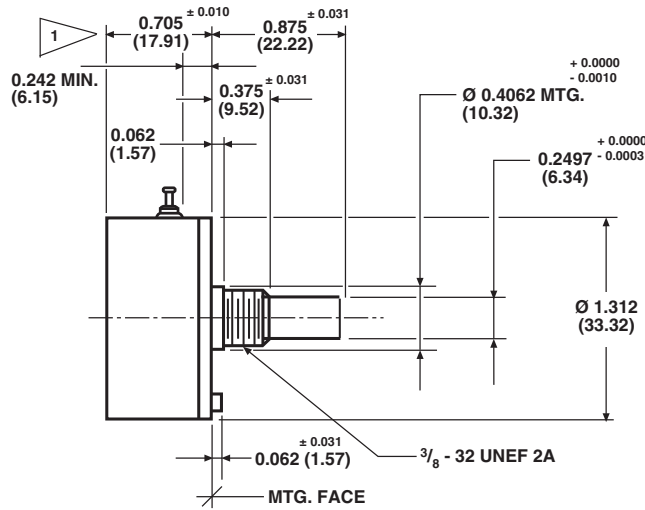
ORDERING INFORMATION														
1	0	0	S	1	2	0	3	2	0	3	X	X	X	X
MODEL		STYLE		GANGS			OHMIC VALUE GANGS N° 1		OHMIC VALUE GANGS N° 2		SPECIAL REQUEST			
100		B: bushing S: servo		1 2 3 4 5 6			470 = 47 Ω 222 = 2.200 Ω 103 = 10 kΩ For ohmic value range see electrical specification		470 = 47 Ω 222 = 2.200 Ω 103 = 10 kΩ For ohmic value range see electrical specification		xxxx			



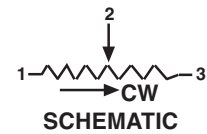
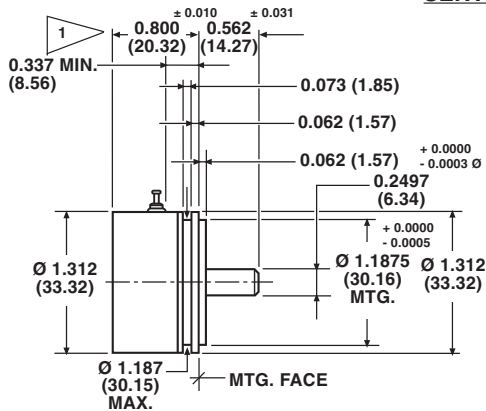
PART NUMBER DESCRIPTION (for information only)					
100-	1	2	103	203	xxxx
MODEL	STYLE	GANGS	OHMIC VALUE GANGS N° 1	OHMIC VALUE GANGS N° 2	SPECIAL
B: 1 S: 2					

DIMENSIONS in inches (millimeters)

BUSHING MOUNT: 100B/100-1...



SERVO MOUNT: 100S/100-2...



1 ADD 0.566 ± 0.002 (14.38) FOR EACH ADDITIONAL SECTION

TOLERANCES: UNLESS OTHERWISE NOTED.
DECIMALS ± 0.005 ANGLES ± 2°



MECHANICAL SPECIFICATIONS		
PARAMETER		
Rotation	360° (continuous)	
Bearing type	Servo mount: ball bearing Bushing mount: sleeve bearing	
Ganging	6 sections maximum, terminal alignment, added sections, within ± 10° of section 1 terminals	
Torque (maximums)	STARTING	RUNNING
Servo, 1 section	0.60 oz. - in (43.20 g - cm)	0.30 oz. - in (21.60 g - cm)
Bushing, 1 section	1.00 oz. - in (72.00 g - cm)	0.75 oz. - in (54.00 g - cm)
Each additional section	0.30 oz. - in (21.60 g - cm)	0.30 oz. - in (21.60 g - cm)
Mechanical tolerances (maximums):	BUSHING	SERVO
Shaft runout (TIR/in)	0.002" (0.05 cm)	0.002" (0.05 cm)
Pilot dia. runout (TIR)	0.002" (0.05 cm)	0.002" (0.05 cm)
Lateral runout (TIR)	0.005" (0.13 cm)	0.002" (0.05 cm)
Shaft end play	0.005" (0.13 cm)	0.005" (0.13 cm)
Shaft radial play	0.004" (0.10 cm)	0.002" (0.05 cm)
Moment of inertia	1.0 g - cm ² per section maximum	
Weight		
Single section	2.0 oz. maximum (56.7 g)	
Each additional section	0.75 oz. maximum (21.3 g)	

MATERIAL SPECIFICATIONS	
Housing and lids	Aluminum, anodized
Shaft	Stainless steel, non-magnetic non-passivated
Terminals	Brass, plated for solderability
Bushing mount hardware	
Lockwasher internal tooth:	Steel, nickel plated
Panel nut:	Brass, nickel plated

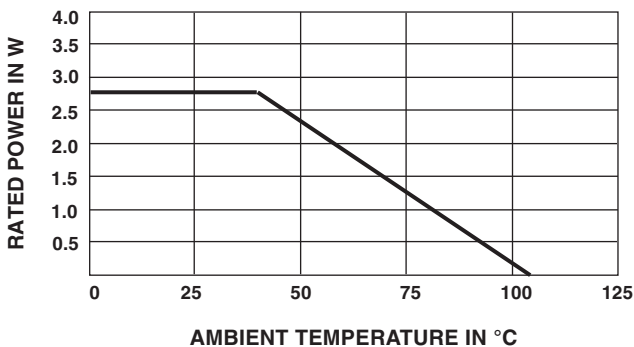
ENVIRONMENTAL SPECIFICATIONS	
Vibration	15 g thru 2000 CPS
Shock	50 g
Salt spray	96 h
Rotational life	1 million shaft revolutions
Load life	900 h
Temperature range	-55 °C to +105 °C

Note

- Nothing stated herein shall be construed as a guarantee of quality or durability

MARKING	
Unit identification	Units shall be marked with Vishay Spectrol name, model number and data code and on each section, resistance, resistance tolerance, linearity and terminal identification. Example of a marking for a standard part: 100-11103

POWER RATING CHART



RESISTANCE ELEMENT DATA					
RESISTANCE VALUES (Ω)	RESOLUTION (%)	OHMS PER TURN	MAXIMUM CURRENT AT 70 °C AMBIENT (mA)	MAXIMUM VOLTAGE ACROSS COIL (V)	WIRE TEMP. COEF. (ppm/°C)
5	0.346	0.017	742	3.7	800
10	0.298	0.030	524	5.2	800
20	0.236	0.047	371	7.4	800
50	0.244	0.122	235	12	20
100	0.222	0.222	166	17	20
200	0.181	0.361	117	23	20
500	0.178	0.885	74	37	20
1K	0.138	1.38	52	52	20
2K	0.105	2.09	37	74	20
5K	0.085	4.23	23	117	20
10K	0.069	6.84	17	166	20
20K	0.058	11.5	12	235	20
35K	0.058	20.0	8.8	310	20



Disclaimer

ALL PRODUCT, PRODUCT SPECIFICATIONS AND DATA ARE SUBJECT TO CHANGE WITHOUT NOTICE TO IMPROVE RELIABILITY, FUNCTION OR DESIGN OR OTHERWISE.

Vishay Intertechnology, Inc., its affiliates, agents, and employees, and all persons acting on its or their behalf (collectively, "Vishay"), disclaim any and all liability for any errors, inaccuracies or incompleteness contained in any datasheet or in any other disclosure relating to any product.

Vishay makes no warranty, representation or guarantee regarding the suitability of the products for any particular purpose or the continuing production of any product. To the maximum extent permitted by applicable law, Vishay disclaims (i) any and all liability arising out of the application or use of any product, (ii) any and all liability, including without limitation special, consequential or incidental damages, and (iii) any and all implied warranties, including warranties of fitness for particular purpose, non-infringement and merchantability.

Statements regarding the suitability of products for certain types of applications are based on Vishay's knowledge of typical requirements that are often placed on Vishay products in generic applications. Such statements are not binding statements about the suitability of products for a particular application. It is the customer's responsibility to validate that a particular product with the properties described in the product specification is suitable for use in a particular application. Parameters provided in datasheets and / or specifications may vary in different applications and performance may vary over time. All operating parameters, including typical parameters, must be validated for each customer application by the customer's technical experts. Product specifications do not expand or otherwise modify Vishay's terms and conditions of purchase, including but not limited to the warranty expressed therein.

Hyperlinks included in this datasheet may direct users to third-party websites. These links are provided as a convenience and for informational purposes only. Inclusion of these hyperlinks does not constitute an endorsement or an approval by Vishay of any of the products, services or opinions of the corporation, organization or individual associated with the third-party website. Vishay disclaims any and all liability and bears no responsibility for the accuracy, legality or content of the third-party website or for that of subsequent links.

Except as expressly indicated in writing, Vishay products are not designed for use in medical, life-saving, or life-sustaining applications or for any other application in which the failure of the Vishay product could result in personal injury or death. Customers using or selling Vishay products not expressly indicated for use in such applications do so at their own risk. Please contact authorized Vishay personnel to obtain written terms and conditions regarding products designed for such applications.

No license, express or implied, by estoppel or otherwise, to any intellectual property rights is granted by this document or by any conduct of Vishay. Product names and markings noted herein may be trademarks of their respective owners.