

## Mounting Instructions

1. Cut 28.1 mm dia hole in panel (2).
2. Fit anti-rotation washer (4) to potentiometer (6) using potentiometer nut (5) supplied, making sure that not more than 19 mm of the shaft length is protruding from the anti-rotation washer (4) figure 1.
3. Rotate potentiometer shaft fully anti-clockwise.
4. Place potentiometer through mounting nut (3) and panel (2).
5. Insert mechanism (1) through hole from the opposite side of panel and locate onto anti-rotation washer, lock in place with mounting nut (3) figure 2.
6. Rotate dial until reading is zero and fully tighten the hexagon headed screw onto the shaft using the key provided.
7. Check operation of dial, and re-adjust zero setting if necessary.

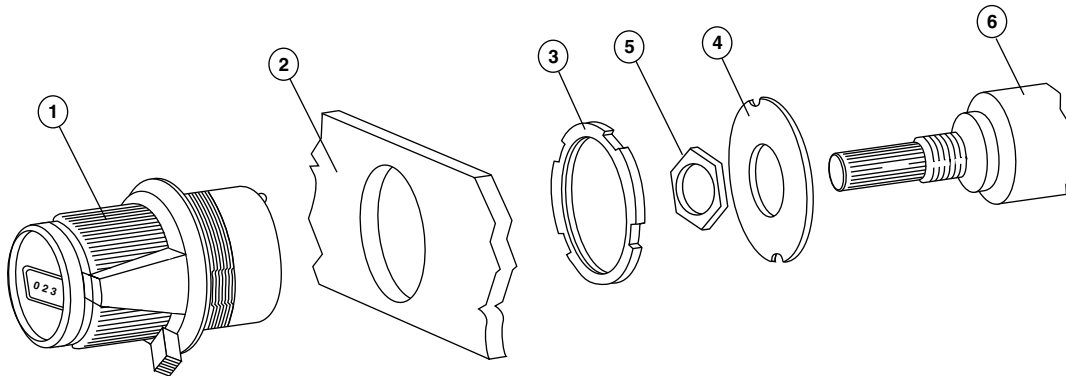


Fig. 1

1. Mechanism
2. Panel
3. Mounting nut
4. Anti-rotation washer
5. Nut supplied with potentiometer
6. Potentiometer

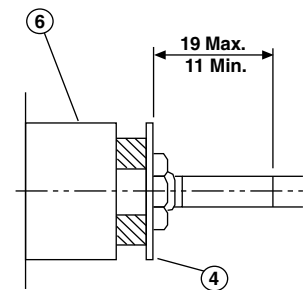


Fig. 2