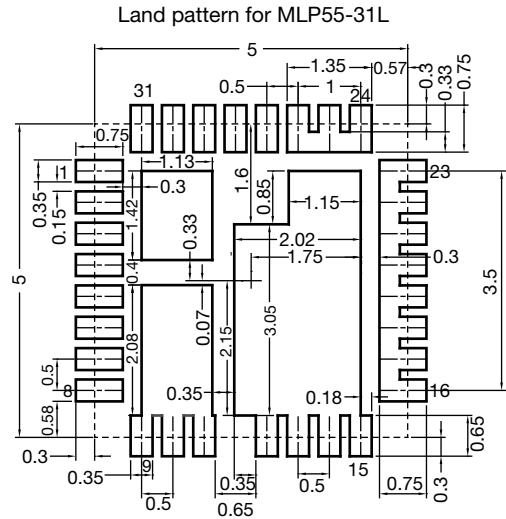
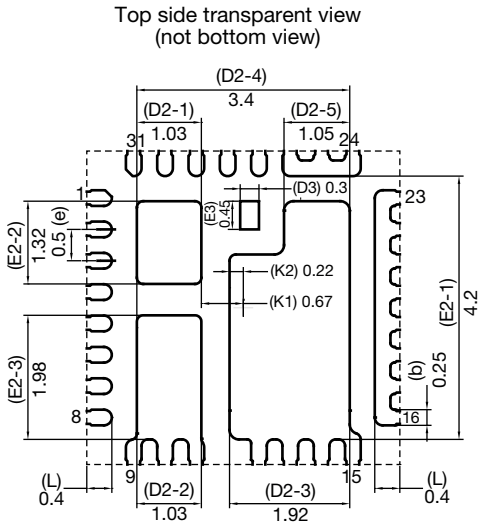




# Recommended Land Pattern PowerPAK® MLP55-31L



All dimensions in millimeters

