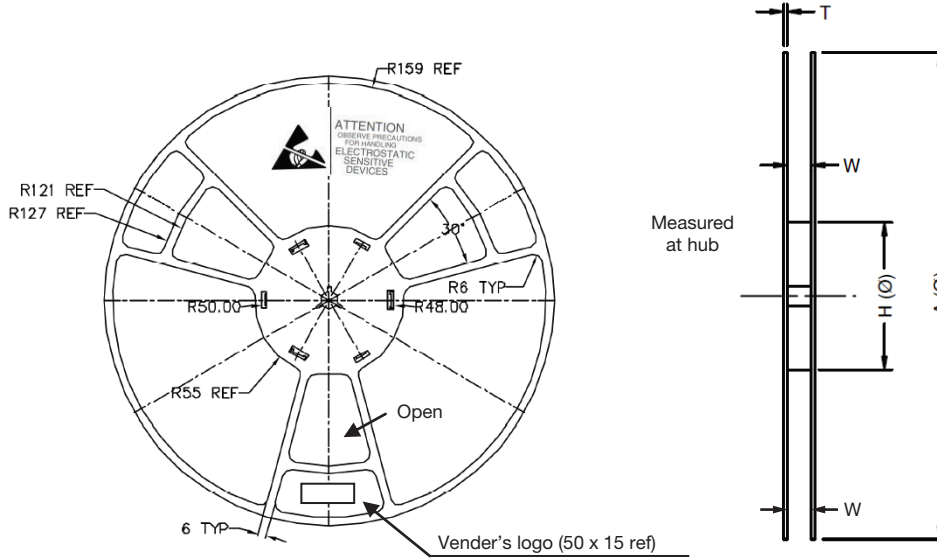


## Reel

### 330 mm Reel (Lock Reel)



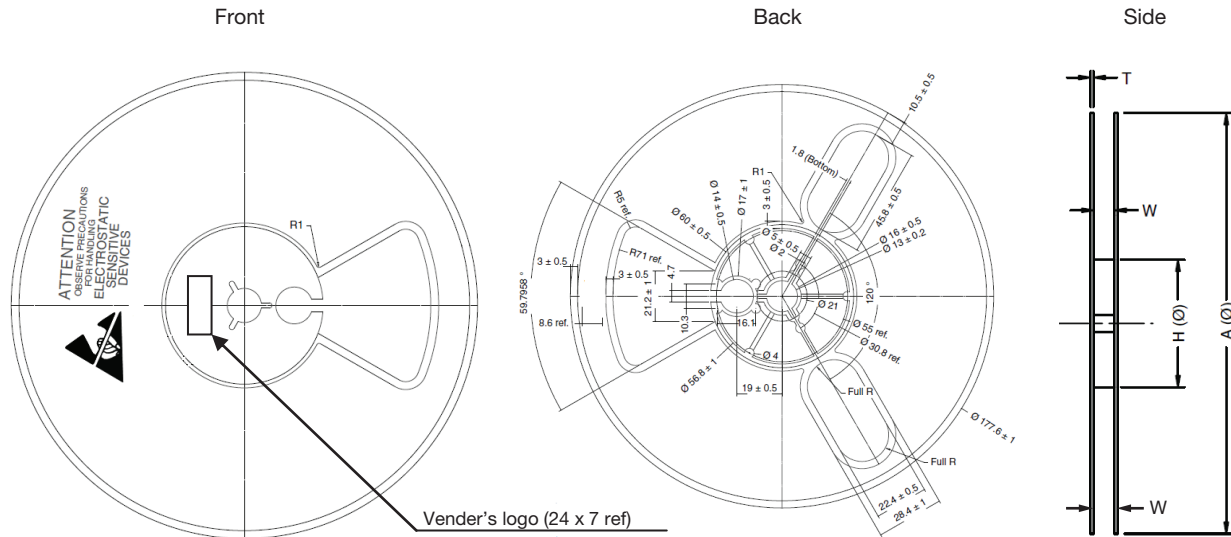
#### Notes

1. Material: antistatic or conductor plastic
2. All dimensions in mm
3. ESD-surface resistivity  $-10^4 \Omega$  to  $10^{11} \Omega$
4. Color: black

VER	APPLICATION	A	W	TAPE WIDTH	H	T
- 1	SOIC-14/16 TO-251 (Short Lead) TO-252/TO-252 (Reverse Lead) PLCC-20 TSSOP-8/14/16/20/28 SSOP-24 SOIC-16 (W) PLCC20	330 ± 2	16.4 <sup>+2</sup> / <sub>-0</sub>	16	100 ± 1	2.5 ± 0.5
- 2	SOIC-8 (N), SOIC-8 (N) epad MSOP-8/10 PowerPAK® SO-8/SO-8S/SO-8SW PowerPAK 1212 PowerPAK 1212-8W MICRO FOOT® MLP33-5, MLP33-8, MLP33-10 QFN (4 x 4)/(3 x 3)/DFN-10 (3 x 3) MLP44/MLP4535/MLP55/MLP65/MLP56	330 ± 2	12.4 <sup>+2</sup> / <sub>-0</sub>	12	100 ± 1	2.5 ± 0.5
- 4	SOT-23/143 SC70 MICRO FOOT	330 ± 2	8.4 <sup>+1.5</sup> / <sub>-0</sub>	8.4	100 ± 1	2.5 ± 0.5
- 5	SOIC-20W/24W D2PAK SSOP-28 QSOP-36	330 ± 2	24.4 <sup>+2</sup> / <sub>-0</sub>	24	100 ± 1	2.5 ± 0.5
- 8	KGD	330 ± 2	16.4 <sup>+2</sup> / <sub>-0</sub>	16	130 ± 1	2.5 ± 0.5



178 mm Reel (Complete Reel)



Notes

1. Material: antistatic or conductor plastic
2. All dimensions in mm
3. ESD-surface resistivity -  $10^4 \Omega$  to  $10^{11} \Omega$
4. Color: black

VER	APPLICATION		A	W	TAPE WIDTH	H	T
- 3	SOT-23/143 TSOP-5/6/SC70JW-8L 1206-8 ChipFET® SC70/SC75A/SC89 MICRO FOOT SC-89 (SOT-666) SOT23-5, 6 KGD WCSP PowerPAK 0806 PowerPAK SC70 PowerPAK SC75	MiniQFN PowerPAK MLP22-5 PowerPAK ChipFET PowerPAK SC75-6L (PIC) PowerPAK TSC75-6L (PIC) TDFN4 1.2 x 1.6, TDFN8 2 x 2 Thin PowerPAK SC-70 Thin PowerPAK SC-75 µDFN-6L 1 x 1 µDFN-4L 1 x 1	178 ± 2	8.4 +1.5 -0	8.4	62 ± 2	1.5 ± 0.5
- 7	MICRO FOOT PowerPAK 2 x 5	KGD	178 ± 2	12.4 +2 -0	12	55 ± 2	1.6 ± 0.25
ECN: C23-1171-Rev. CD, 30-Oct-2023 DWG: 93-5211-X							