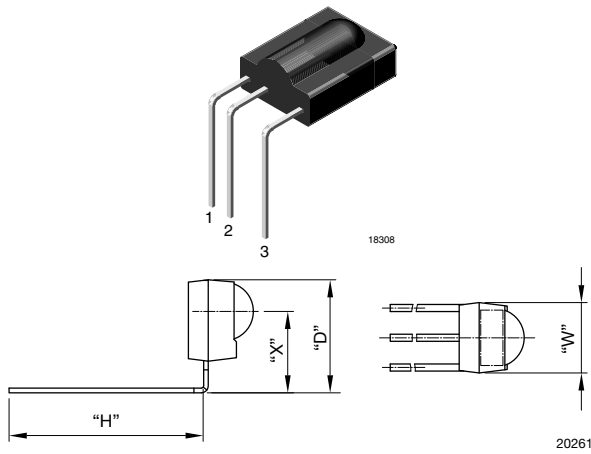


## Bent Leads:

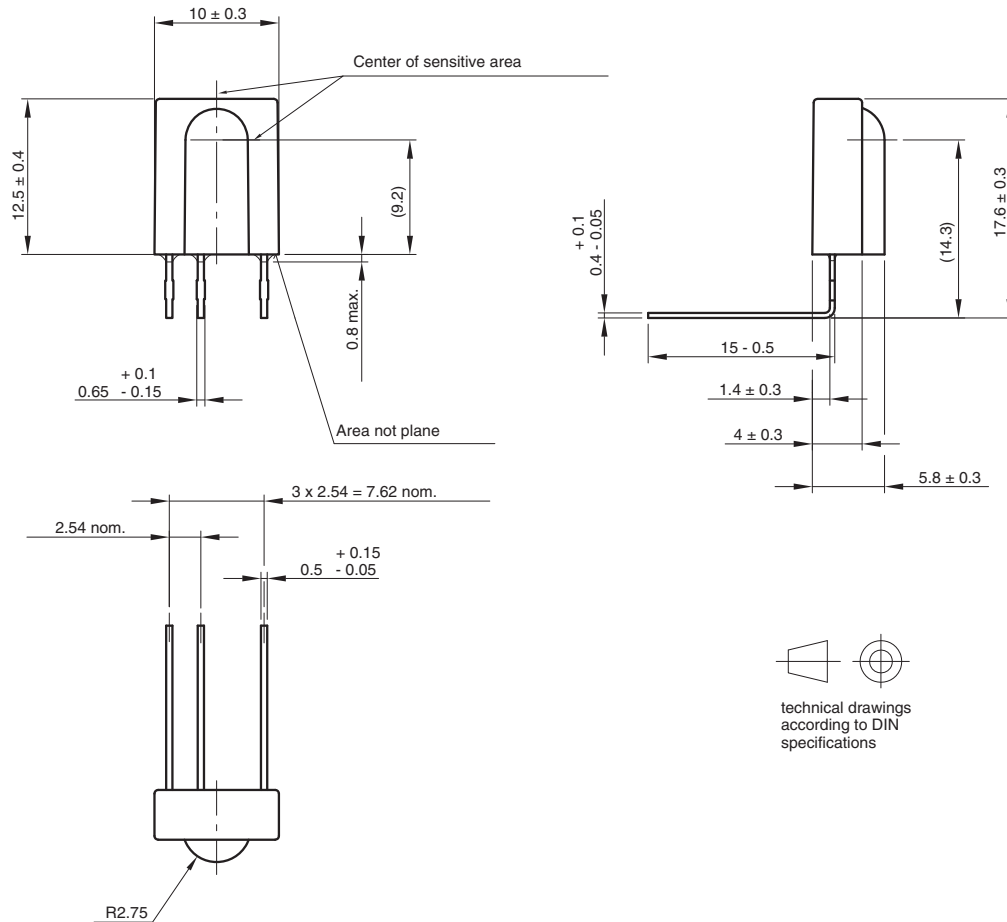
### D = 17.4 mm, H = 15 mm, W = 10 mm, X = 14.3 mm

**AVAILABLE FOR**

- Cast



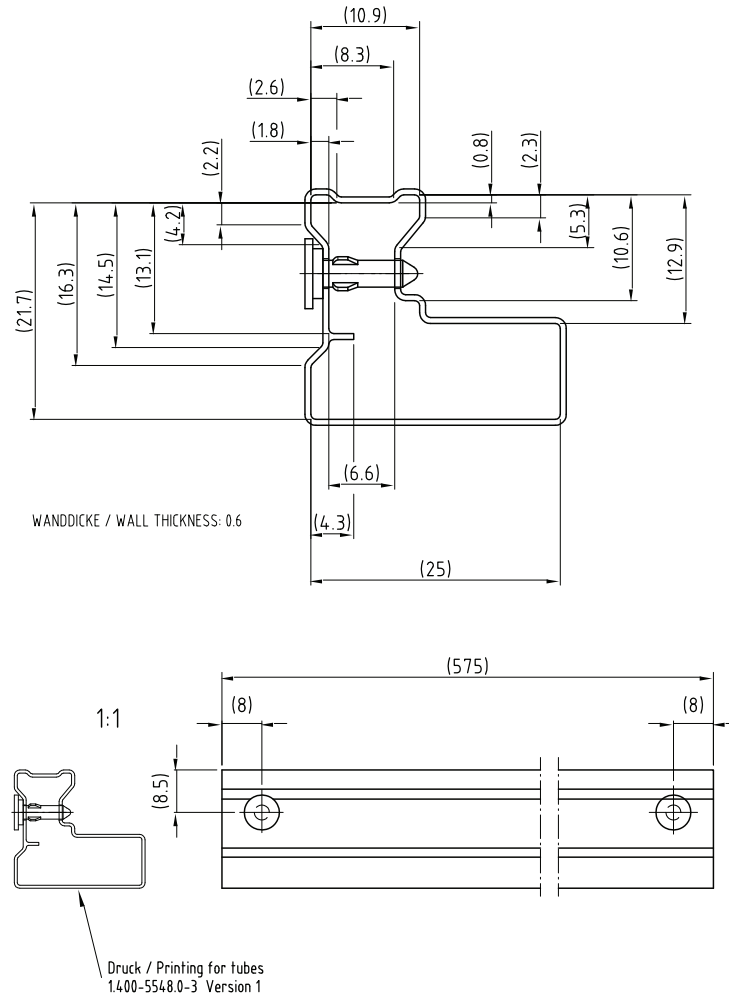
NAME	LENS AXIS (X)	VIEW	TYPE	HEIGHT (H)	WIDTH (W)	DEPTH (D)
SP1	14.3	-	Bend	15	10	17.4

**MECHANICAL DIMENSIONS** in millimeters


technical drawings  
according to DIN  
specifications

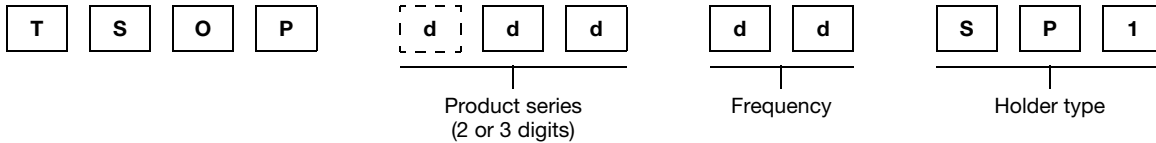
Drawing-No.: 6.550-5112.05-4  
Issue: 9; 04.08.09  
15986

**PACKAGING DIMENSIONS** in millimeters



Drawing-No.: 9.700-5158.0-4  
 Rev. 9; Date: 20.11.03  
 20309-1

**ORDERING INFORMATION**



**Note**

- d = "digit", please consult the list of available series on the previous page to create a valid part number

**Example: TSOP31238SP1**

**PACKING QUANTITY**

- 54 pieces per tube
- 24 tubes per carton