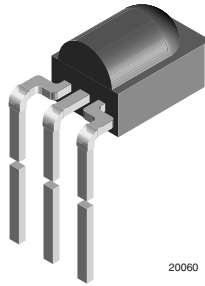


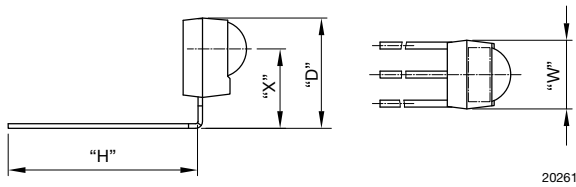
**Bent Leads:**  
**D = 9.65 mm, H = 5 mm, W = 5 mm, X = 6.95 mm**



20060

**AVAILABLE FOR**

- Minicast



20261

**LINKS TO ADDITIONAL RESOURCES**

[Product Page](#)

[3D Models](#)

[Calculators](#)

[Marking](#)

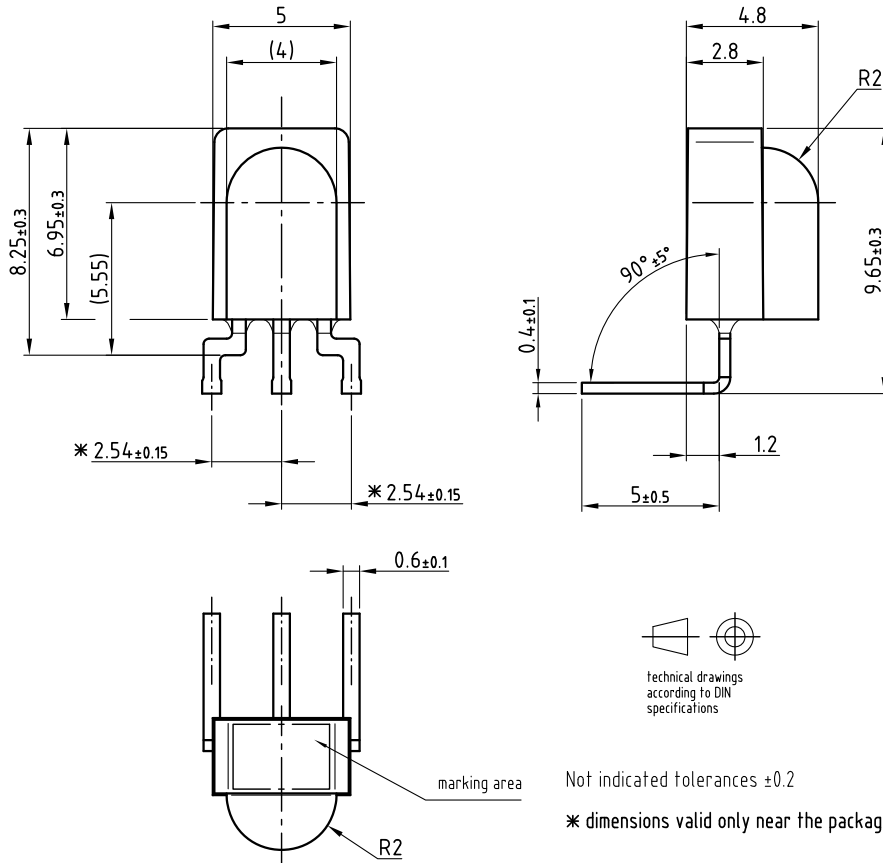
[Packages](#)

[Holders](#)

[Bends and Cuts](#)

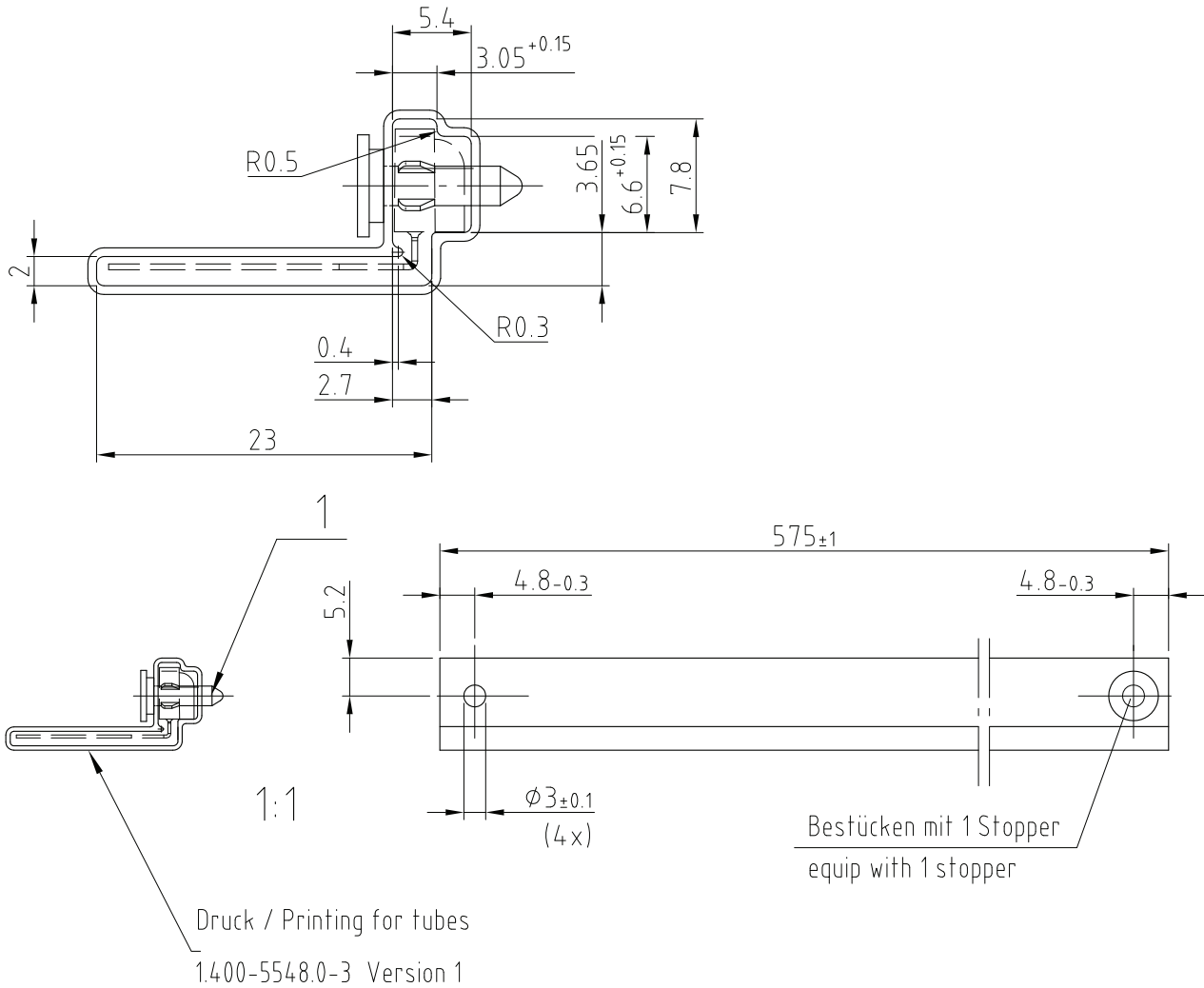
NAME	LENS AXIS (X)	VIEW	TYPE	HEIGHT (H)	WIDTH (W)	DEPTH (D)
ST1	6.95	-	Bend	5	5	9.65

**MECHANICAL DIMENSIONS** in millimeters



Drawing-No.: 6.550-5281.02-4  
 Issue: 4; 08.05.12

**PACKAGING DIMENSIONS** in millimeters

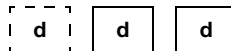


Drawing-No.: 9.700-5309.0-4

Rev. 2; Date: 26.10.07

20440

**ORDERING INFORMATION**



Product series  
(2 or 3 digits)



Frequency



Holder type

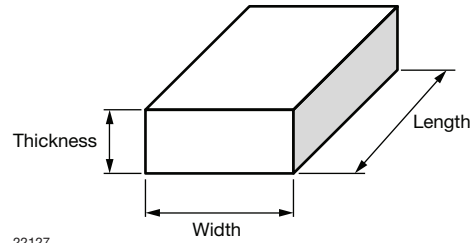
**Note**

- d = "digit", please consult the list of available series on the previous page to create a valid part number

**Example: TSOP19238ST1**

**PACKAGING QUANTITY**

- 105 pieces per tube
- 30 tubes per carton

**OUTER PACKAGING**
**CARTON BOX DIMENSIONS** in millimeters


KINDS OF CARTON BOX	THICKNESS	WIDTH	LENGTH
Packaging plastic tubes (normal / auxiliary devices)	80	150	600
Packaging plastic trays (devices with metal holders)	120	290	490
Big box (bulk packaging)	150	180	400
Secondary box (taping in reels)	400	310	410
Ammo-box (zigzag taping)	50	130	350