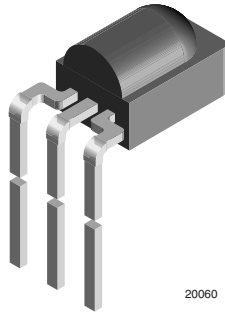


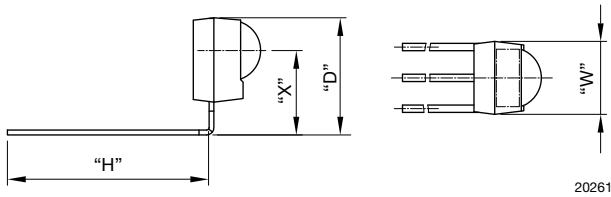
Bent Leads:
D = 9.65 mm, H = 3 mm, W = 5 mm, X = 6.95 mm



20060

AVAILABLE FOR

- Minicast



20261

LINKS TO ADDITIONAL RESOURCES

[Product Page](#)

[3D Models](#)

[Calculators](#)

[Marking](#)

[Packages](#)

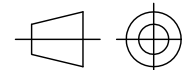
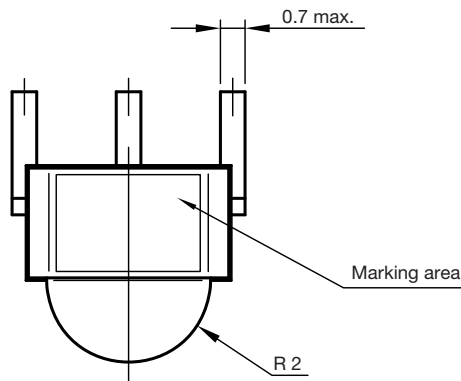
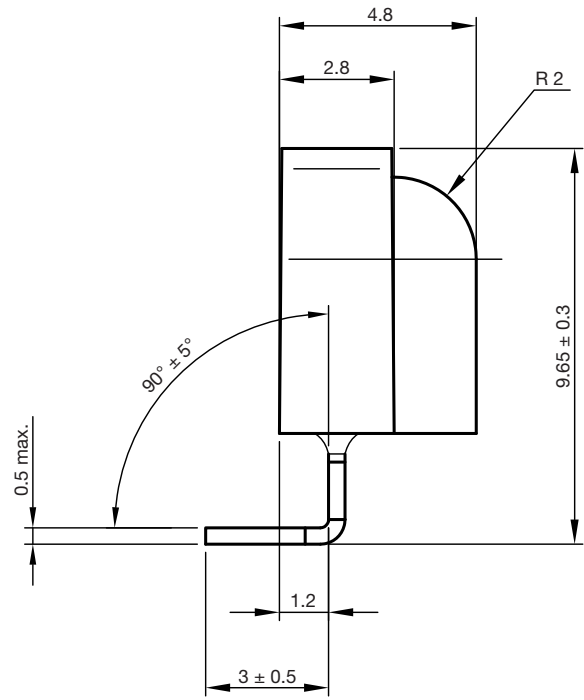
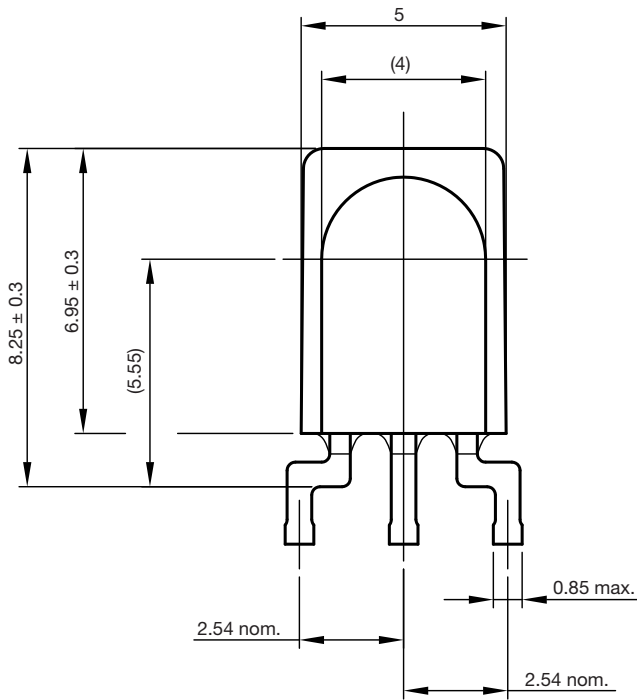
[Holders](#)

[Bends and Cuts](#)

NAME	LENS AXIS (X)	VIEW	TYPE	HEIGHT (H)	WIDTH (W)	DEPTH (D)
SU1	6.95	Top	Bend	3	5	9.65



MECHANICAL DIMENSIONS in millimeters



technical drawings
according to DIN
specifications

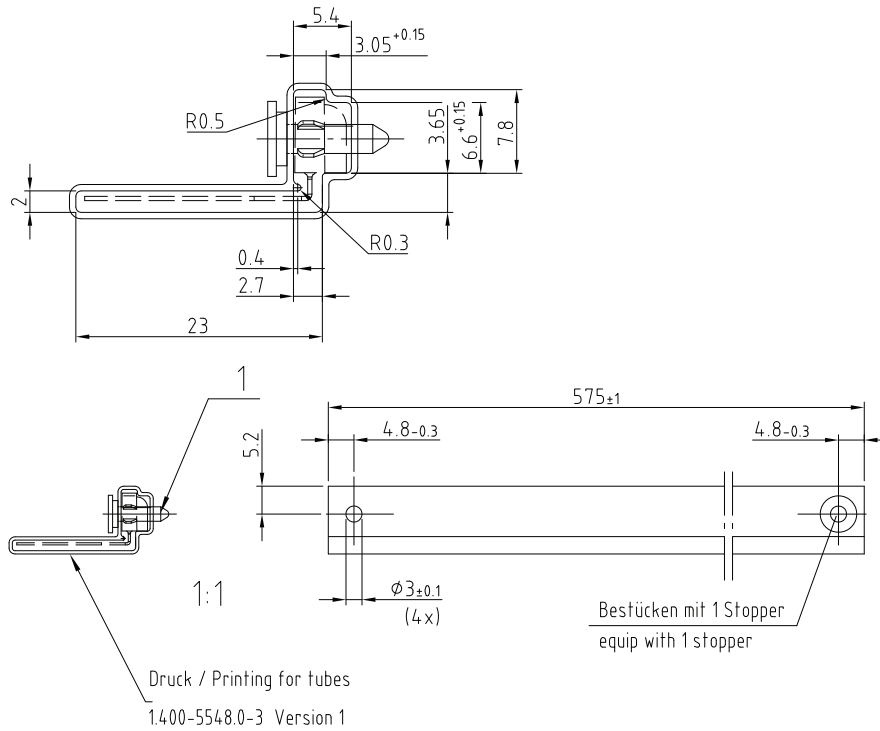
Not indicated tolerances ± 0.2

Drawing-No.: 6.550-5281.05-4

Issue: 4; 12.03.10

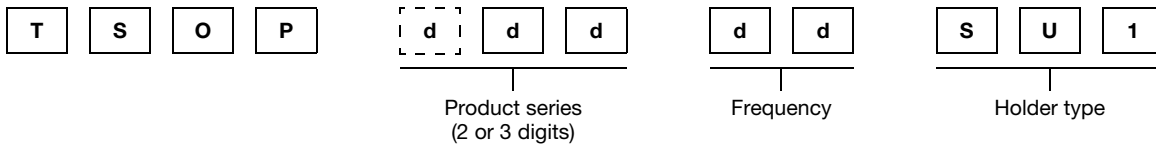
21411

PACKAGING DIMENSIONS in millimeters



Drawing-No.: 9.700-5309.0-4
Rev. 2; Date: 26.10.07
20440

ORDERING INFORMATION



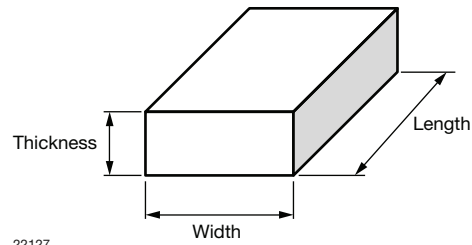
Note

- d = "digit", please consult the list of available series on the previous page to create a valid part number

Example: TSOP38238SU1

PACKING QUANTITY

- 105 pieces per tube
- 30 tubes per carton

OUTER PACKAGING
CARTON BOX DIMENSIONS in millimeters


KINDS OF CARTON BOX	THICKNESS	WIDTH	LENGTH
Packaging plastic tubes (normal / auxiliary devices)	80	150	600
Packaging plastic trays (devices with metal holders)	120	290	490
Big box (bulk packaging)	150	180	400
Secondary box (taping in reels)	400	310	410
Ammo-box (zigzag taping)	50	130	350