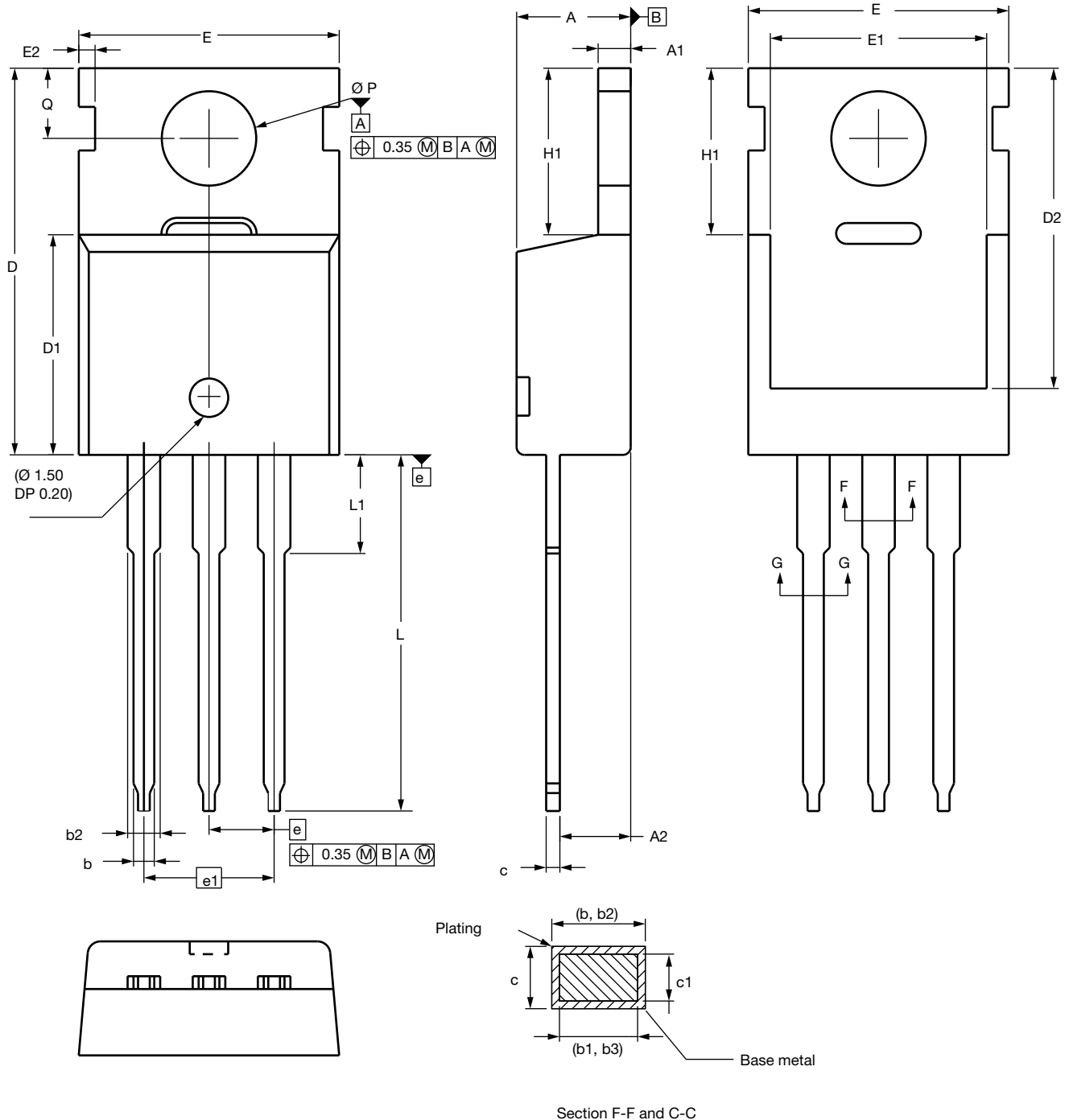




TO-220AB (High Voltage)





DIM.	MILLIMETERS	
	MIN.	MAX.
A	4.25	4.65
A1	1.20	1.34
A2	2.563	2.92
b	0.71	0.91
b1	0.38	0.97
b2	1.14	1.78
b3	1.14	1.73
c	0.46	0.61
c1	0.36	0.554
D	14.32	15.86
D1	8.39	8.79
D2	12.20	12.80
E	9.96	10.36
E1	8.14	8.74
E2	0.59	0.69
e	2.54 BSC.	
e1	5.08 BSC	
H1	6.30	6.70
L	13.40	14.40
L1	3.65	4.05
Ø P	3.60	3.80
Q	2.54	2.94
ECN: S23-0688-Rev. E, 28-Aug-2023 DWG: 6031		

Note

- Dimensioning and toleranceing confirm to ASME Y14.5M-1994
- All dimensions are in millimeters; angles are in degrees
- Radius on terminal is optional
- General tolerances - linear ± 0.05
- Plastic body angles: 5 ° unless otherwise specified
- Plastic body radii: max. 0.25 unless otherwise specified
- Plastic body finishing: matt finishing $R_A = 1,7 \mu\text{m}$ to $2 \mu\text{m}$
- Mismatch max. = 0,05 (cavity to hole axis)
- Asterisked quotes are subjected to the SPC calculation (Cp, K, CpK)