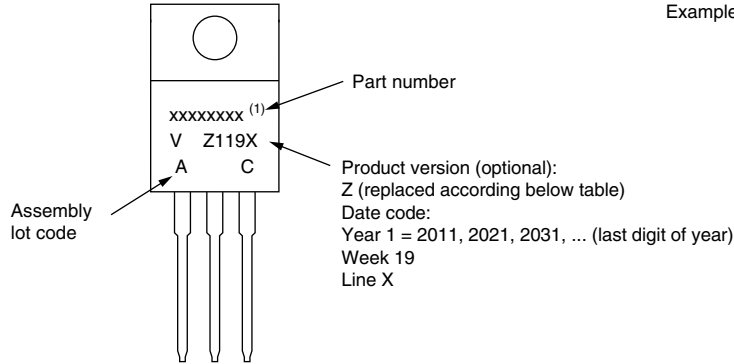




## TO-220AB 3L



Example: This is a xxxxxxxx <sup>(1)</sup> with assembly lot code AC, assembled on WW 19, 2021 in the assembly line "X"

### Note

<sup>(1)</sup> If part number contain "H" as last digit, product is AEC-Q101 qualified

ENVIRONMENTAL NAMING CODE (Z)	PRODUCT DEFINITION
A	Termination lead (Pb)-free
B	Totally lead (Pb)-free
E	RoHS-compliant + termination lead (Pb)-free
F	RoHS-compliant + totally lead (Pb)-free
M	Halogen-free + RoHS-compliant + termination lead (Pb)-free
N	Halogen-free + RoHS-compliant + totally lead (Pb)-free
G	Green